

**OPEN BARREL MALE DISCONNECTOR - 2.8 TAB**

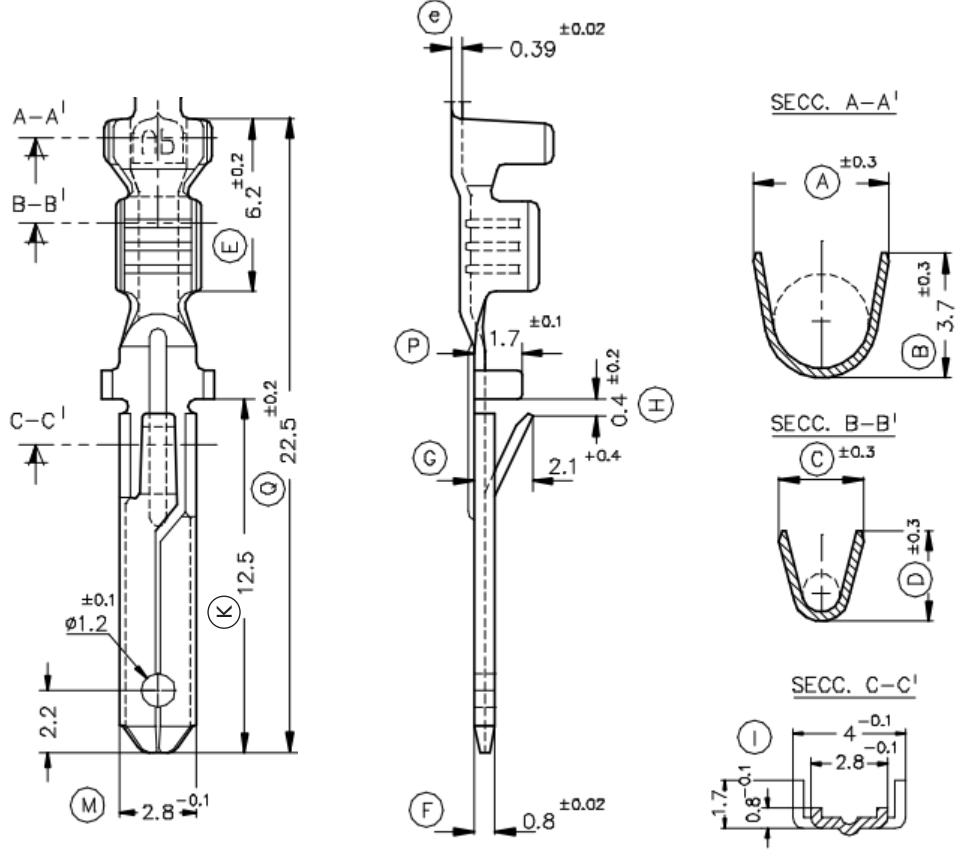
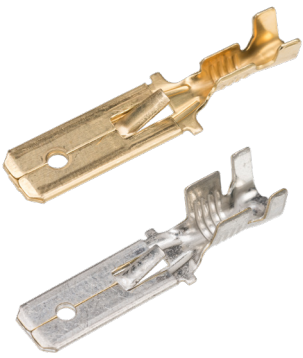
**PART NR.**  
See dimensions table  
**MS** on strip  
**ML** loose piece

**COUNTRY OF ORIGIN**  
Spain

**STANDARDS**  
REACH and RoHS compliant

**TECHNICAL SPECIFICATIONS**  
**Material:** Brass, with or without tin plating  
**Max. temperature:** Natural 110 °C, tin plated 120 °C  
**Max. rated current:** 0,50 mm<sup>2</sup> 8A  
0,75 mm<sup>2</sup> 10A  
1,00 mm<sup>2</sup> 12A

**PHOTO / TECHNICAL DRAWING**



**DIMENSIONS**

Wire range	Part nr. natural	Part nr. tin plated	Tab-size	Q	K	M	Dimple/locking tab	MOQ	UL
0,5-1,0	01-008-ML-ZA	01-008-ML-TA	2,8x0,8	22,5	12,5	2,8	dimple hole/locking tab	1.000	

**CRIMPING PARAMETERS & PULL-OUT FORCE**

Wire section (± 10%)	Conductor			Insulator	Pull-out force (N)
	Height (mm)	Width (mm)	Height (mm)		
0,50 mm <sup>2</sup>	1,30	2,17	2,28	2,85	123N
0,75 mm <sup>2</sup>	1,40	2,18	2,36	2,86	179N
1,00 mm <sup>2</sup>	1,50	2,19	2,45	2,87	287N