

PART NR.  
**L8240-4050**  
**L8240-4050T**

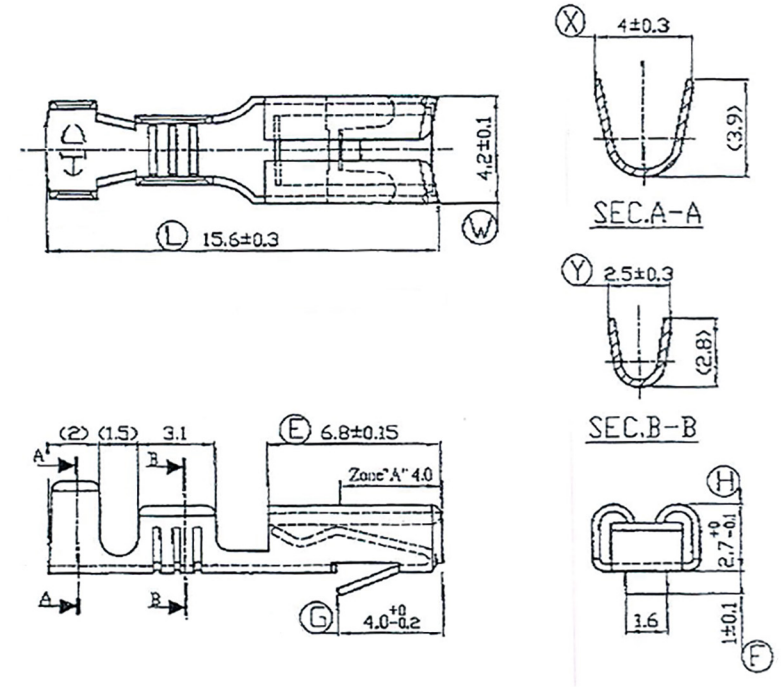
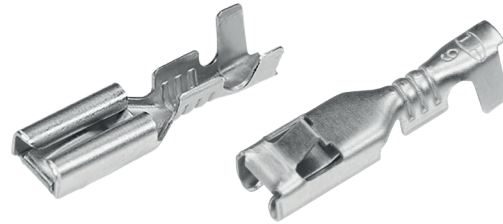
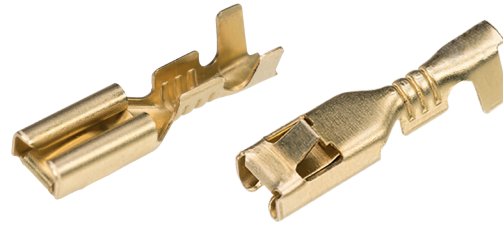
natural  
tin plated

COUNTRY OF ORIGIN  
**China (natural)**  
**Taiwan (tin plated)**

STANDARDS  
**REACH and RoHS compliant**

**OPEN BARREL FEMALE DISCONNECTOR - 2.8 TAB**

PHOTO / TECHNICAL DRAWING



DIMENSIONS

Wire range	Part nr. natural	Part nr. tin plated	Tab-size	L	E	W	G	MOQ	UL
0,5~1,0	L8240-4050	L8240-4050T	2,8x0,5	15,6	6,8	4,2	4,0	100	

TECHNICAL SPECIFICATIONS

Material:  
Tabsize:

Brass, with or without tin plating  
2,8x0,5 mm