

**PART NR.**

See dimensions table

MS on strip

ML loose piece

**COUNTRY OF ORIGIN**

Spain

**STANDARDS**

REACH and RoHS compliant

DIN 46340

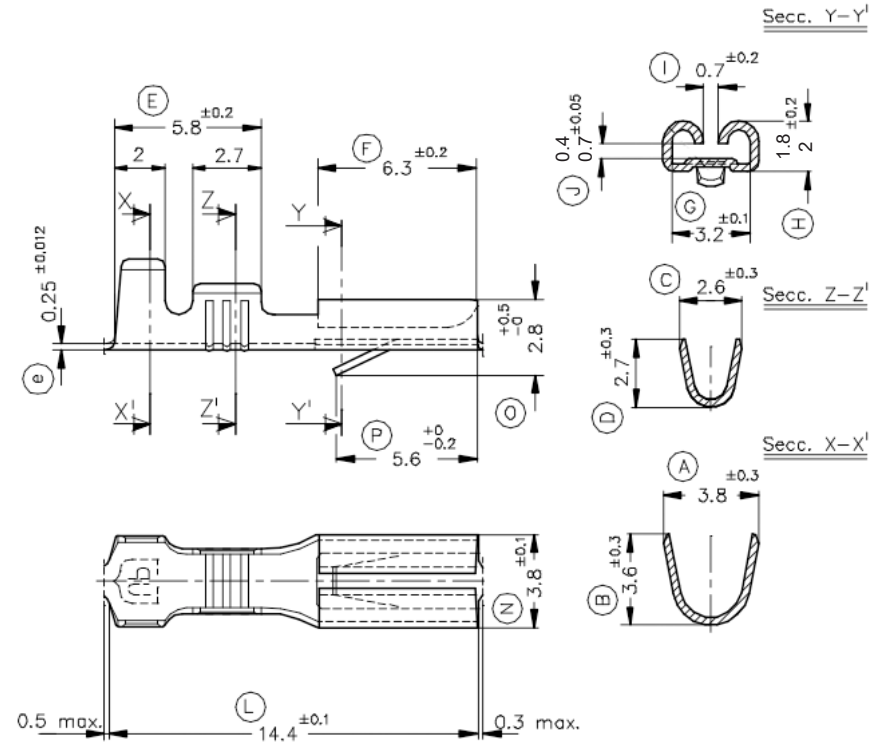
**OPEN BARREL FEMALE DISCONNECTOR - 2.8 TAB**

**PHOTO / TECHNICAL DRAWING**

02-28x-ML-ZA



02-28x-ML-TA



**DIMENSIONS**

Wire range	Part nr. natural	Part nr. tin plated	Tab-size	L	F	N	J	Dimple/locking tab	MOQ	UL
0,5~1,0	02-285-ML-ZA	02-285-ML-TA	2,8x0,5	14,4	6,3	3,8	0,4	locking tab	1.000	
	02-288-ML-ZA	02-288-ML-TA	2,8x0,8				0,7			

**TECHNICAL SPECIFICATIONS**

Material: Brass, with or without tin plating  
 Max. temperature: Natural 110 °C, tin plated 120 °C  
 Max. rated current: 0,50 mm<sup>2</sup> 6A  
 0,75 mm<sup>2</sup> 8A  
 1,00 mm<sup>2</sup> 8A

**CRIMPING PARAMETERS & PULL-OUT FORCE**

Terminal	Wire section (± 10%)	Conductor		Insulator	Pull-out force (N)
		Height (mm)	Width (mm)	Width (mm)	
02-285-ML-xA 02-288-ML-xA	0,50 mm <sup>2</sup>	1,00	2,03	3,04 (± 0,15)	> 70N
	0,75 mm <sup>2</sup>	1,10	2,04	3,06 (± 0,15)	> 80N
	1,00 mm <sup>2</sup>	1,20	2,05	3,06 (± 0,15)	> 90N