

SOLDER GRIP END CONNECTOR

PART NR.

See dimensions table

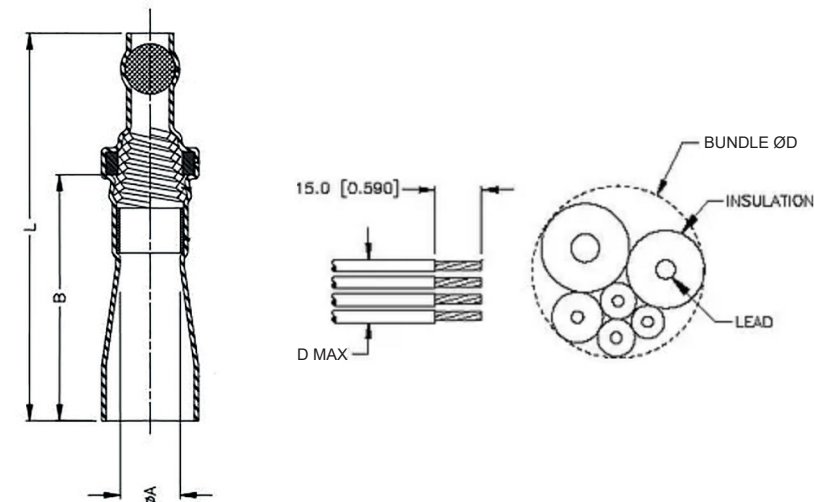
COUNTRY OF ORIGIN:

Mexico

STANDARDS:

Waterproof

PHOTO / TECHNICAL DRAWING



DIMENSIONS

Wire range	Part nr.	L	Ø A	B	Max bundle Ø	UL
19~13 AWG 0,7~2,4 mm	SGRS-1	38,3	3,6	26,0	3,3	
14~12 AWG 2,0~4,0 mm	SGRS-2	37,7	5,0	23,5	4,5	
12~8 AWG 3,5~8,0 mm	SGRS-3	45,5	7,5	26,5	7,0	
8~6 AWG 7,5~12,0 mm	SGRS-4	45,0	9,4	25,5	9,0	

TECHNICAL SPECIFICATIONS

Insulation:

Polyvinylidene fluoride, heat shrinkable, radiation cross-linked modified

Solder preform:

Sn50 Pb32 Cd18

Flux:

Flux ROM1 per ANSI / J-STD-004

Conical spring:

Square copper wire

Sealing insert:

Hot melt adhesive

End closure ball:

Tinted glass

Operating temperature: -55~125 °C

Min. shrink temperature: 140 °C