

QUICK SPLICE CONNECTOR - GEL-FILLED

PART NR.

See dimensions table

COUNTRY OF ORIGIN:

China

STANDARDS:

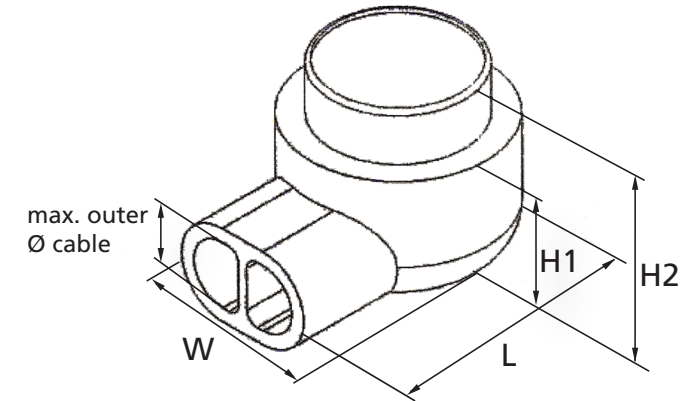
REACH and RoHS compliant

The gel is also RoHS compliant

Waterproof at 0~95% humidity

EU approved

PHOTO / TECHNICAL DRAWING



DIMENSIONS

Wire range	Part nr.	Description	W	L	H1	H2	UL
26~21 AWG 0,4~0,7 mm ²	CL 510216	Polycarbonate two-wire connector for solid copper cable, max. outer Ø 1,52 mm	8,6	12,0	5,9	8,0	
26~19 AWG 0,4~0,9 mm ²	CL 510217	Polypropylene two-wire connector for solid copper cable, max. outer Ø 2,08 mm	9,8	15,3	5,8	8,4	
26~19 AWG 0,4~0,9 mm ²	CL 510218	Polypropylene two- or three-wire connector for solid copper, air core or filled cable, max outer Ø 2,08 mm	12,3	17,2	5,8	8,2	
26~19 AWG 0,4~0,9 mm ²	CL 510219	Polycarbonate two-wire connector for solid copper, air core or filled cable, max. outer Ø 1,67 mm	12,0	12,8	6,0	8,4	
22~14 AWG 0,3~2,0 mm ²	CL 510220	Nylon two- or three-wire connector for solid copper cable, max. outer Ø 4,0 mm	23,5	24,5	10,4	17,0	
24~19 AWG 0,5~0,9 mm ²	CL 510221	Polycarbonate four-wire (1 full pair) inline connector for solid copper cable, max. outer Ø 3,18 mm	16,4	50,7	9,7	13,0	

TECHNICAL SPECIFICATIONS

Material:

Insulation:

Working temperature:

Max. temperature:

Electrical current:

Brass, tin plated

See dimensions table

-30~70 °C

100 °C

2,5~7,5V AC or DC