

## PVC HOOK TERMINAL 90° - STANDARD

### PART NR.

See dimensions table

### COUNTRY OF ORIGIN:

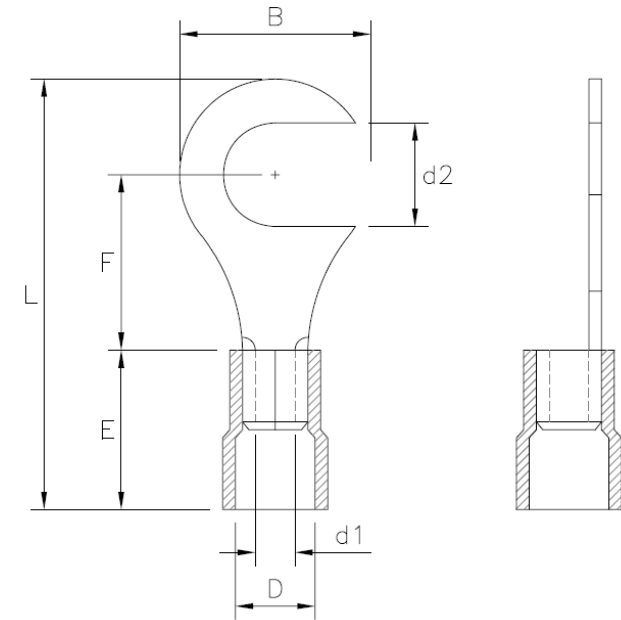
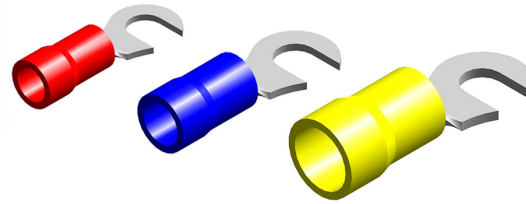
Taiwan

### STANDARDS:

REACH and RoHS compliant

UL listed

### PHOTO / TECHNICAL DRAWING



### DIMENSIONS

Wire range	Part nr.	d2	B	F	L	E	D	d1	UL
22~16 AWG 0,5~1,5 mm <sup>2</sup>	BFV 1.25-4Y	4,3	7,4	7,0	21,0	10,0	4,1	1,7	✓
16~14 AWG 1,5~2,5 mm <sup>2</sup>	BFV 2-4Y	4,3	7,9	7,8	22,0	10,0	4,5	2,3	✓
12~10 AWG 4~6 mm <sup>2</sup>	BFV 5.5-4Y	4,3	9,0	8,3	25,5	12,5	6,5	3,4	✓
	BFV 5.5-5Y	5,3	8,7	8,3	25,5	12,5	6,5	3,4	✓
	BFV 5.5-6Y	6,5	11,0	10,5	29,0	12,5	6,5	3,4	✓

### TECHNICAL SPECIFICATIONS

Terminal:	Copper, tin plated
Insulation:	Vinyl (PVC)
Operating temperature:	-10~75 °C
Max. electrical current:	600V
Max. electrical rating:	red 19A blue 27A yellow 48A