

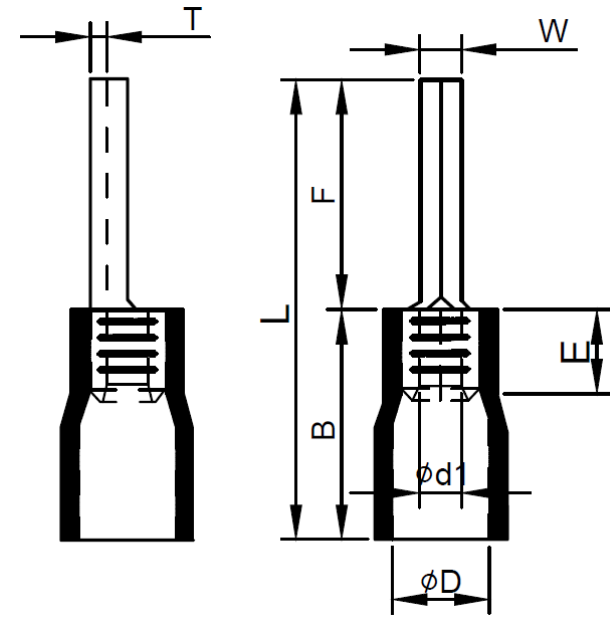
PART NR.
See dimensions table

COUNTRY OF ORIGIN:
China

STANDARDS:
REACH and RoHS compliant

UL listed (blue and yellow only)

PHOTO / TECHNICAL DRAWING



PVC PIN TERMINAL - STANDARD

DIMENSIONS

Wire range	Part nr.	W	F	L	B	ØD	Ød1	T	UL
22~16 AWG	RBFVPC 1.25-F9	1,9	9,0	19,0	10,0	4,2	1,7	0,75	
	RBFVPC 1.25-F10	1,9	10,0	20,0	10,0	4,2	1,7	0,75	
0,5~1,5 mm ²	RBFVPC 1.25	1,9	12,0	22,0	10,0	4,2	1,7	0,75	
16~14 AWG	RBFVPC 2-F9	1,9	9,0	19,0	10,0	4,8	2,3	0,8	✓
1,5~2,5 mm ²	RBFVPC 2	1,9	12,0	22,0	10,0	4,8	2,3	0,8	✓
12~10 AWG									
4~6 mm ²	RBFVPC 5.5	2,8	14,0	27,0	13,0	6,7	3,4	1,0	✓

TECHNICAL SPECIFICATIONS

Terminal:	Copper, tin plated
Insulation:	Vinyl (PVC)
Operating temperature:	-10~75 °C
Max. electrical current:	600V
Max. electrical rating:	red 19A
	blue 27A
	yellow 48A