

PART NR.
See dimensions table

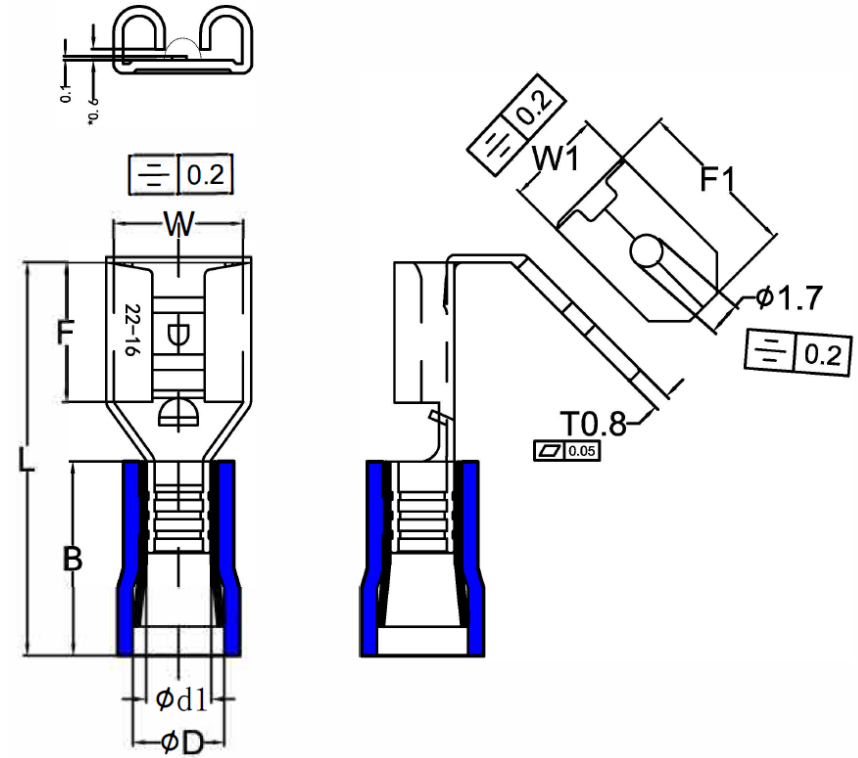
COUNTRY OF ORIGIN:
China

STANDARDS:
REACH and RoHS compliant

UL listed

PVC PIGGY BACK DISCONNECTOR - STRAIGHT COPPER SLEEVE

PHOTO / TECHNICAL DRAWING



DIMENSIONS

Wire range	Part nr.	tab	W	W1	F	F1	L	B	ϕD	$\phi d1$	T	UL
22~16 AWG 0,5~1,5 mm ²	RBFVDDFM 1.25-250A	6,3x0,8	6,7	6,4	8,0	8,2	21,0	10,0	3,8	1,7	0,8	✓
16~14 AWG 1,5~2,5 mm ²	RBFVDDFM 2-250B	6,3x0,8	6,7	6,4	8,0	8,2	21,0	10,0	4,7	2,3	0,8	✓
12~10 AWG 4~6 mm ²	RBFVDDFM 5.5-250A	6,3x0,8	6,7	6,4	8,0	8,2	24,5	13,0	6,2	3,4	0,8	✓

TECHNICAL SPECIFICATIONS

Terminal: Brass, tin plated
 Insulation: Vinyl (PVC)
 Operating temperature: -10~75 °C
 Max. electrical current: 300V
 Max. electrical rating:
 red 10A
 blue 15A
 yellow 24A