

PART NR.

See dimensions table

COUNTRY OF ORIGIN:

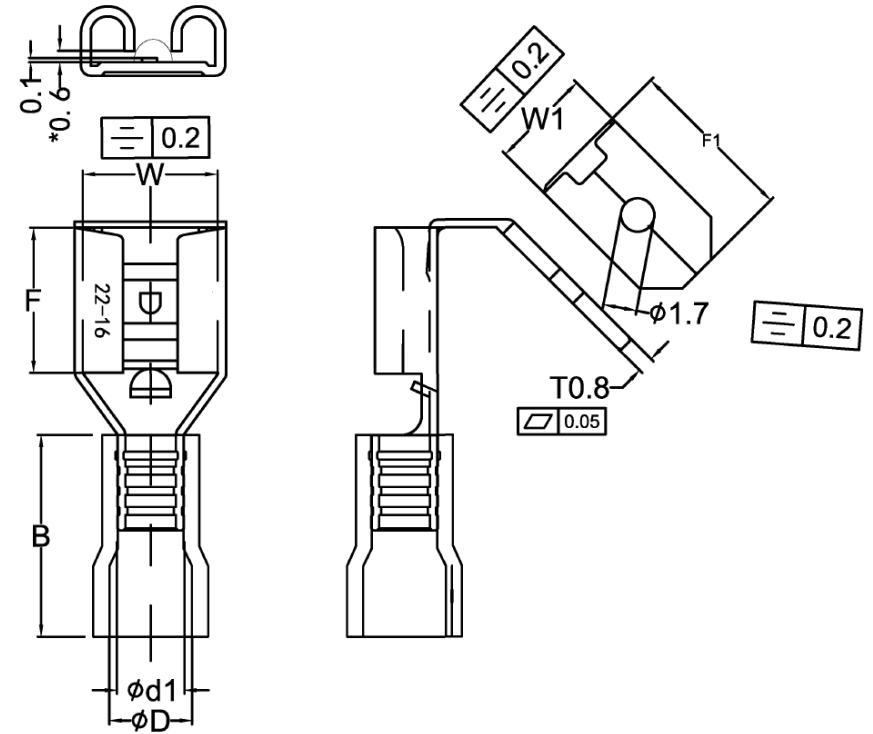
China

STANDARDS:

REACH and RoHS compliant

PVC PIGGY BACK DISCONNECTOR - STANDARD

PHOTO / TECHNICAL DRAWING



DIMENSIONS

| Wire range | Part nr. | tab | W | W1 | F | F1 | L | B | ØD | Ød1 | T | UL |
|--------------------------------------|-------------------|---------|-----|-----|-----|-----|------|------|-----|-----|-----|----|
| 22-16 AWG 0,5-1,5 mm ² | RBFVDFM 1.25-250A | 6,3x0,8 | 6,7 | 6,4 | 8,0 | 8,2 | 21,0 | 10,0 | 3,3 | 1,7 | 0,8 | |
| 16-14 AWG 1,5-2,5 mm ² | RBFVDFM 2-250B | 6,3x0,8 | 6,7 | 6,4 | 8,0 | 8,2 | 21,0 | 10,0 | 4,1 | 2,3 | 0,8 | |
| 12-10 AWG 4-6 mm ² | RBFVDFM 5.5-250A | 6,3x0,8 | 6,7 | 6,4 | 8,0 | 8,2 | 24,5 | 13,0 | 5,6 | 3,4 | 0,8 | |

TECHNICAL SPECIFICATIONS

| | |
|--------------------------|-----------------------------------|
| Terminal: | Brass, tin plated |
| Insulation: | Vinyl (PVC) |
| Operating temperature: | -10~75 °C |
| Max. electrical current: | 300V |
| Max. electrical rating: | red 10A blue 15A yellow 24A |