

PVC MALE BULLET DISCONNECTOR - STRAIGHT COPPER SLEEVE

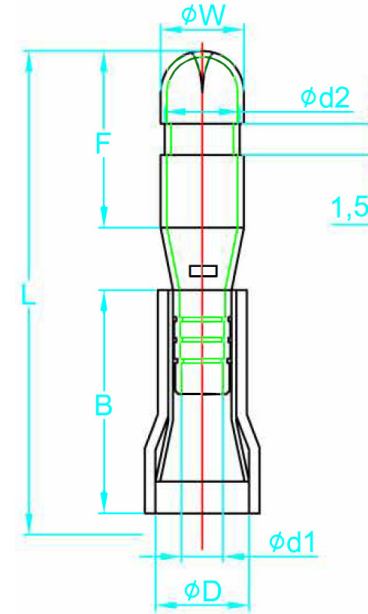
PART NR.
See dimensions table

COUNTRY OF ORIGIN:
China

STANDARDS:
REACH and RoHS compliant

UL listed

PHOTO / TECHNICAL DRAWING



DIMENSIONS

Wire range	Part nr.	ØW	F	L	B	ØD	Ød1	Ød2	UL
22-16 AWG 0,5-1,5 mm ²	RBFVDGM 1.25-5	4,0	9,0	21,5	10,0	3,9	1,7	3,7	✓
16-14 AWG 1,5-2,5 mm ²	RBFVDGM 2-5	4,0	9,0	21,5	10,0	4,7	2,3	3,7	✓
12-10 AWG 4-6 mm ²	RBFVDGM 5.5-7	5,0	9,0	25,0	13,0	6,3	3,4	4,7	✓

TECHNICAL SPECIFICATIONS

Terminal:	Brass, tin plated
Insulation:	Vinyl (PVC)
Operating temperature:	-10~75 °C
Max. electrical current:	300V
Max. electrical rating:	red 10A blue 15A yellow 24A