

PART NR.

See dimensions table

COUNTRY OF ORIGIN:

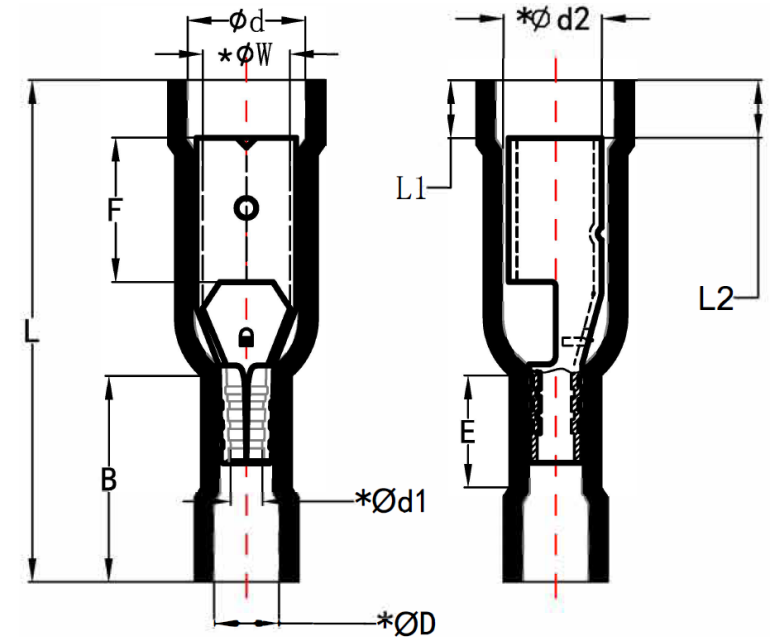
China

STANDARDS:

REACH and RoHS compliant

### PVC FEMALE BULLET DISCONNECTOR - STANDARD

#### PHOTO / TECHNICAL DRAWING



#### DIMENSIONS

Wire range	Part nr.	ØW	F	L	B	E	L1	L2	ØD	Ød1	Ød2	Ød	UL
22-16 AWG 0,5-1,5 mm <sup>2</sup>	RBCVGF 1.25-5	3,9	7,3	24,5	10,5	5,5	3,0	3,0	3,4	1,7	5,0	5,7	
16-14 AWG 1,5-2,5 mm <sup>2</sup>	RBCVGF 2-5	3,9	7,3	24,5	10,5	5,5	3,0	3,0	4,1	2,3	5,0	5,7	
12-10 AWG 4-6 mm <sup>2</sup>	RBCVGF 5.5-7	4,9	7,3	28,0	13,7	6,5	4,0	4,0	5,6	3,4	6,1	7,3	

#### TECHNICAL SPECIFICATIONS

Terminal:	Brass, tin plated
Insulation:	Vinyl (PVC)
Operating temperature:	-10~75 °C
Max. electrical current:	300V
Max. electrical rating:	red 10A blue 15A yellow 24A