

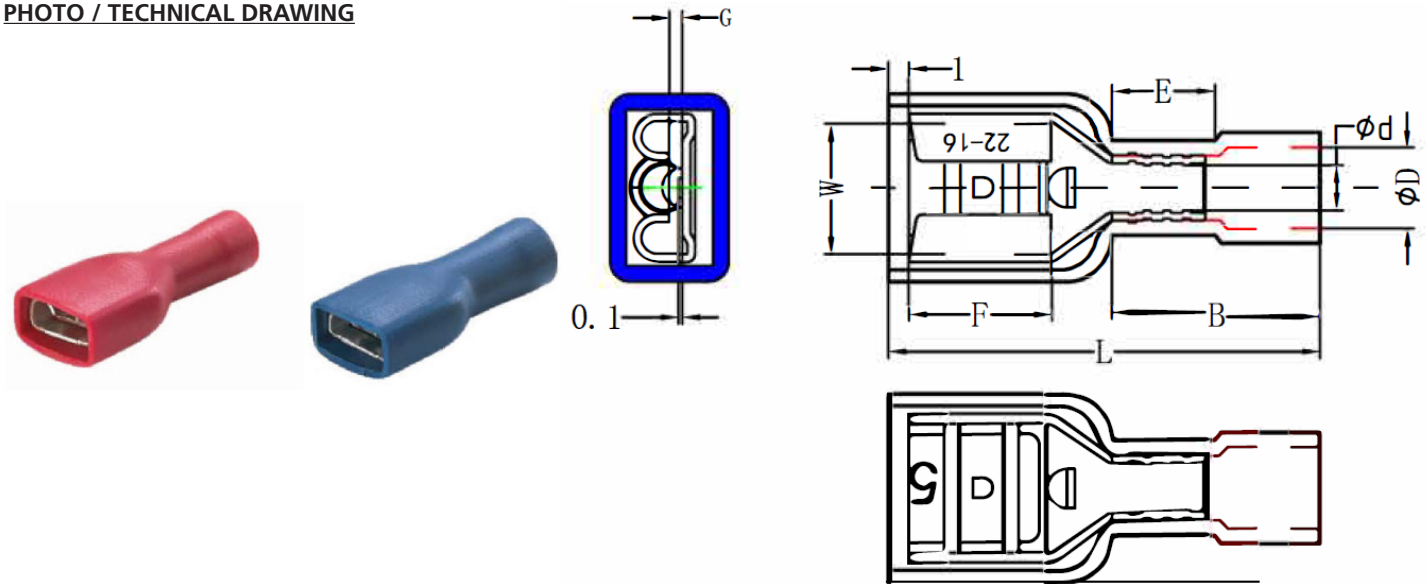
**PART NR.**  
See dimensions table

**COUNTRY OF ORIGIN:**  
China

**STANDARDS:**  
REACH and RoHS compliant

**PVC FEMALE DISCONNECTOR FULLY INSULATED - STANDARD**

**PHOTO / TECHNICAL DRAWING**



**DIMENSIONS**

Wire range	Part nr.	tab	W	F	L	B	E	ØD	Ød1	UL
22~16 AWG	RBLVDF 1.25-250A	6,3x0,8	6,6	7,2	22,8	10,5	5,5	3,5	1,7	
0,5~1,5 mm <sup>2</sup>										
16~14 AWG	RBLVDF 2-250A	6,3x0,8	6,6	7,2	22,0	10,5	5,5	4,3	2,3	
1,5~2,5 mm <sup>2</sup>										

**TECHNICAL SPECIFICATIONS**

Terminal:	Brass, tin plated
Insulation:	Vinyl (PVC)
Operating temperature:	-10~75 °C
Max. electrical current:	300V
Max. electrical rating:	red 10A blue 15A