

**PART NR.**

See dimensions table

**COUNTRY OF ORIGIN:**

China

**STANDARDS:**

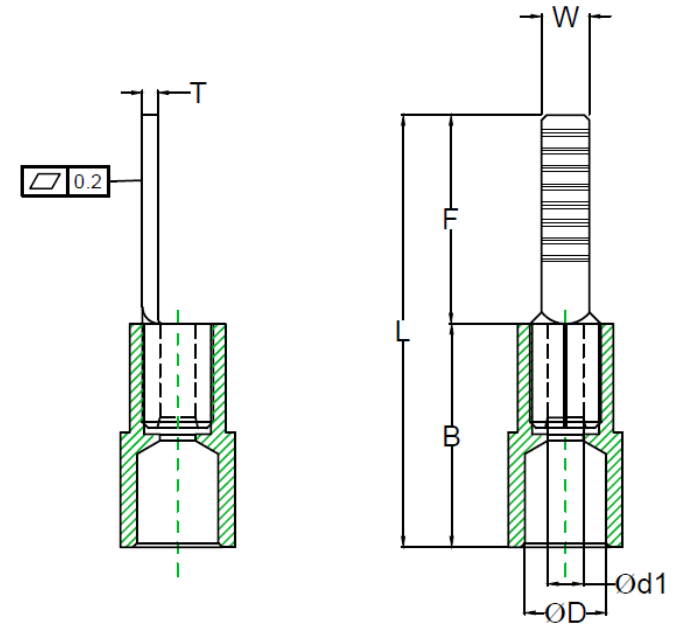
REACH and RoHS compliant

Halogen free

UL listed

**NYLON BLADE TERMINAL - STANDARD**

**PHOTO / TECHNICAL DRAWING**



**DIMENSIONS**

| Wire range                           | Part nr.        | W   | F    | L    | B    | ØD  | Ød1 | UL |
|--------------------------------------|-----------------|-----|------|------|------|-----|-----|----|
| 22~16 AWG<br>0,5~1,5 mm <sup>2</sup> | EFNPC 1.25-PF10 | 2,3 | 10,0 | 20,5 | 10,7 | 3,9 | 1,7 | ✓  |
|                                      | EFNPC 1.25-PF11 | 3,0 | 11,0 | 21,5 | 10,7 | 3,9 | 1,7 | ✓  |
|                                      | EFNPC 1.25-PF14 | 2,4 | 14,0 | 24,5 | 10,7 | 3,9 | 1,7 | ✓  |
| 16~14 AWG<br>1,5~2,5 mm <sup>2</sup> | EFNPC 1.25-P    | 2,2 | 18,0 | 28,5 | 10,7 | 3,9 | 1,7 | ✓  |
|                                      | EFNPC 2-PF9     | 2,8 | 9,0  | 19,5 | 10,7 | 4,5 | 2,3 | ✓  |
|                                      | EFNPC 2-PF10    | 2,3 | 10,0 | 20,5 | 10,7 | 4,5 | 2,3 | ✓  |
| 12~10 AWG<br>4~6 mm <sup>2</sup>     | EFNPC 2-PF13    | 2,4 | 13,0 | 23,5 | 10,7 | 4,5 | 2,3 | ✓  |
|                                      | EFNPC 2-P       | 2,2 | 18,0 | 28,5 | 10,7 | 4,5 | 2,3 | ✓  |
| 4~6 mm <sup>2</sup>                  | EFNPC 5.5-PF10  | 2,8 | 10,0 | 22,7 | 12,7 | 6,3 | 3,4 | ✓  |
|                                      | EFNPC 5.5-P     | 4,5 | 18,0 | 30,7 | 12,7 | 6,3 | 3,4 | ✓  |

**TECHNICAL SPECIFICATIONS**

|                          |                                   |
|--------------------------|-----------------------------------|
| Terminal:                | Copper, tin plated                |
| Insulation:              | Nylon (PA 66)                     |
| Operating temperature:   | -40~105 °C                        |
| Max. electrical current: | 600V                              |
| Max. electrical rating:  | red 19A<br>blue 27A<br>yellow 48V |