

NYLON MALE AND FEMALE BULLET DISCONNECTOR - STRAIGHT COPPER SLEEVE

PART NR.

See dimensions table

COUNTRY OF ORIGIN:

Taiwan

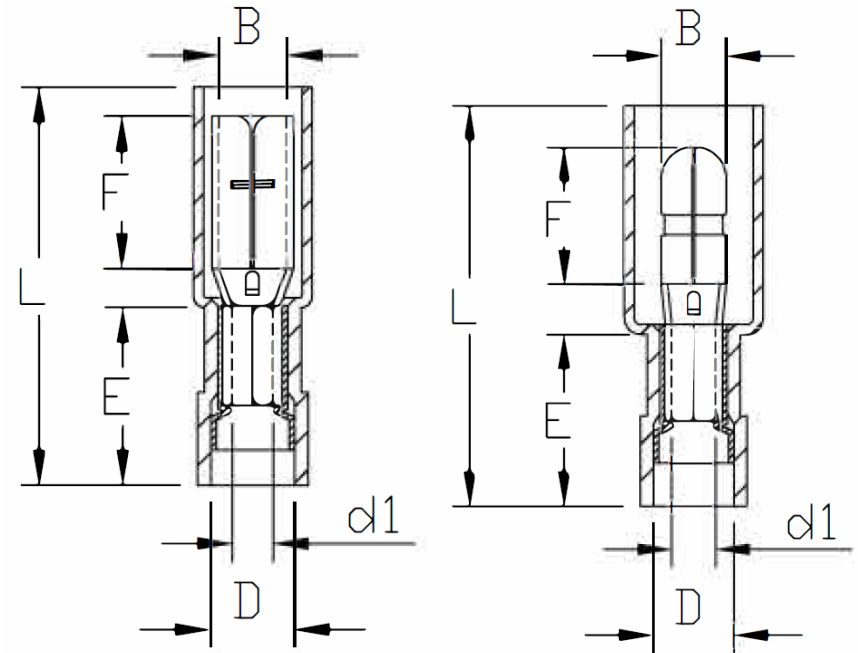
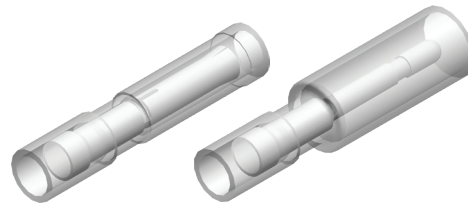
STANDARDS:

REACH and RoHS compliant

Halogen free

UL listed

PHOTO / TECHNICAL DRAWING



DIMENSIONS

Wire range	Part nr.	B	F	L	E	D	d1	t	UL
22~18 AWG	BCNDGF 0.5-2	2,0	10,0	24,0	11,0	3,5	1,6	0,3	✓
0,5~0,75 mm ²	BLNDGM 0.5-2	2,0	12,3	26,5	11,0	3,5	1,6	0,35	✓

TECHNICAL SPECIFICATIONS

Terminal:	Brass, tin plated
Insulation:	Nylon (PA 66)
Operating temperature:	-40~105 °C
Max. electrical current:	300V
Max. electrical rating:	clear 7A