

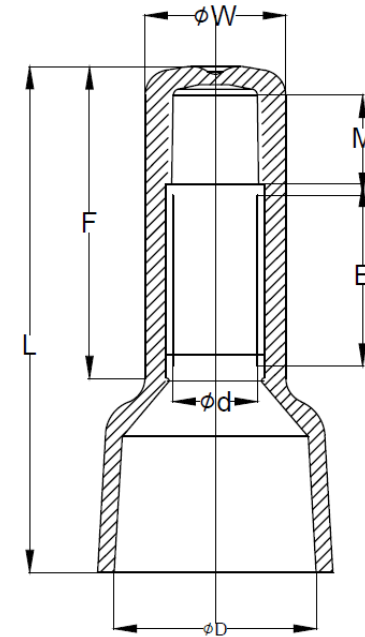
PART NR.
See dimensions table

COUNTRY OF ORIGIN:
China

STANDARDS:
REACH and RoHS compliant
Halogen free

NYLON CLOSED END CONNECTOR

PHOTO / TECHNICAL DRAWING



DIMENSIONS

Wire range	Part nr.	W	E	L	F	Ød	ØD	M	UL
22~16 AWG 0,5~1,5 mm ²	RB 1-SD	4,8	6,9	19,3	12,1	2,8	6,5	3,40	
16~14 AWG 1,5~2,5 mm ²	RB 2-SD	5,5	6,9	19,8	12,2	3,3	7,9	3,82	
12~10 AWG 4~6 mm ²	RB 5.5-SD	7,5	7,5	25,5	16,2	4,5	11,0	3,90	

TECHNICAL SPECIFICATIONS

Terminal: Copper, tin plated
Insulation: Nylon (PA)
Operating temperature: -40~105 °C
Max. electrical current: 300V
Max. electrical rating: 0,5~1,5 mm² 19A
1,5~2,5 mm² 27A
4~6 mm² 48A