

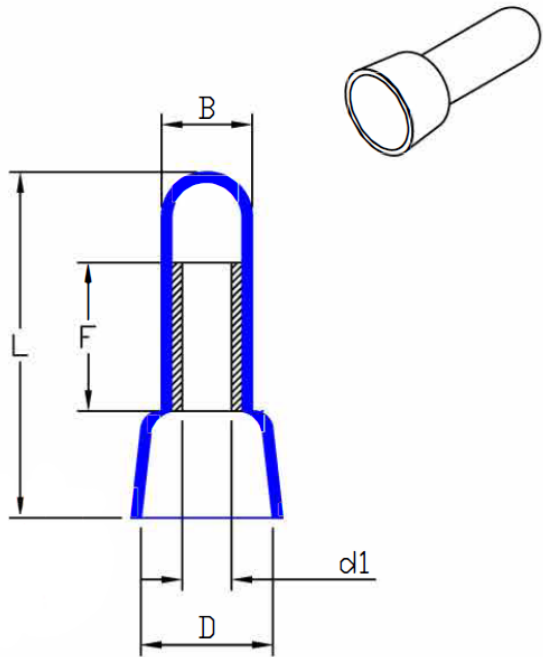
NYLON CLOSED END CONNECTOR

PART NR.
See dimensions table

COUNTRY OF ORIGIN:
Taiwan

STANDARDS:
REACH and RoHS compliant
Halogen free

PHOTO / TECHNICAL DRAWING



DIMENSIONS

Wire range	Part nr.	B	L	F	d1	D	UL
8 AWG	B 8-SD	9,3	27,7	8,5	5,3	12,5	
8 mm ²							

TECHNICAL SPECIFICATIONS

Terminal:	Copper, tin plated
Insulation:	Nylon (PA)
Operating temperature:	-40~105 °C
Max. electrical current:	300V
Max. electrical rating:	8 mm ² 70A