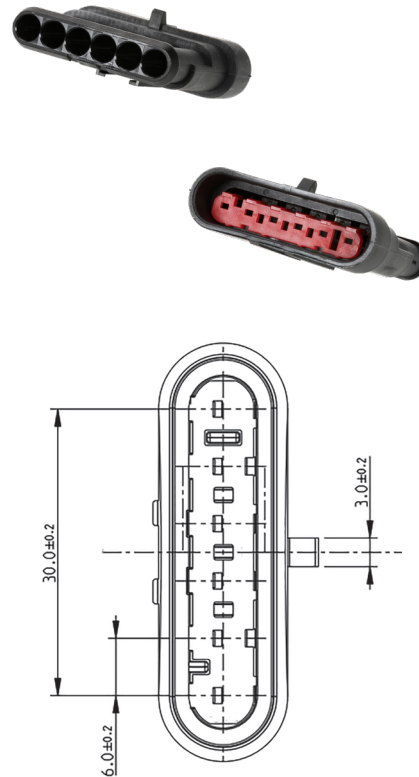


PART NR.
H282108-1

COUNTRY OF ORIGIN:
China

STANDARDS:
REACH and RoHS compliant
Waterproof

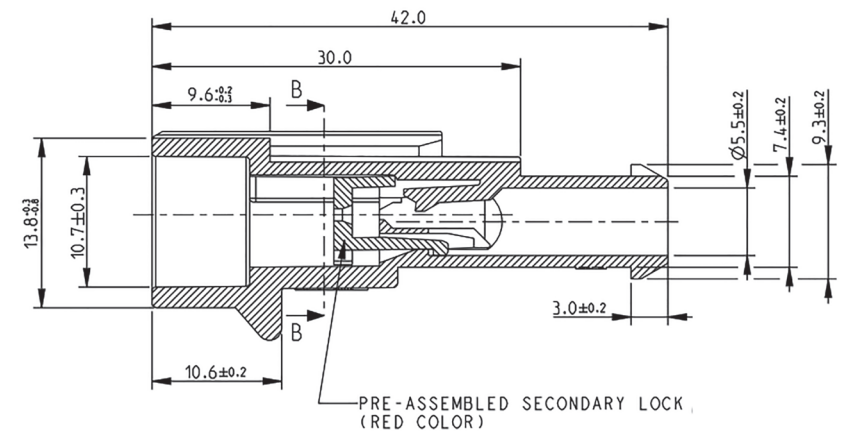
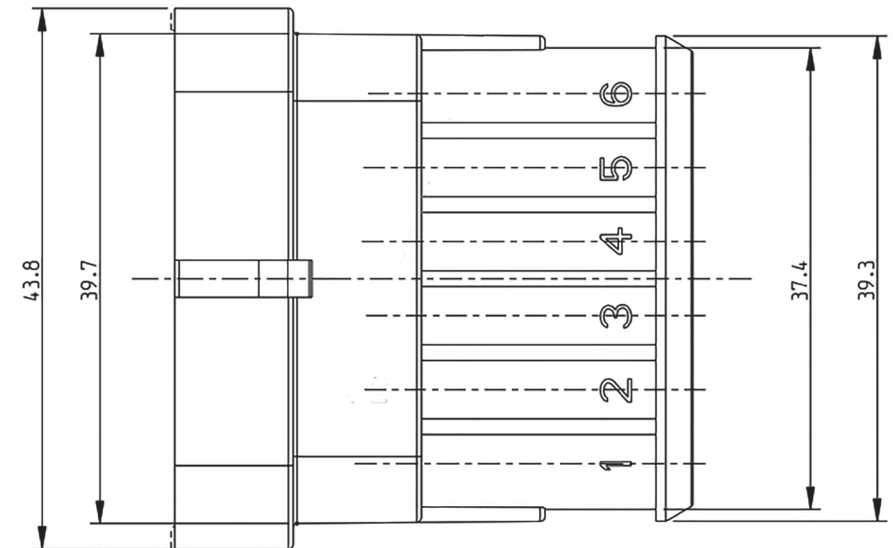
PHOTO / TECHNICAL DRAWING



DIMENSIONS

TECHNICAL SPECIFICATIONS

6 POLE SUPERSEAL 1.5 SERIES MALE CONNECTOR



Length: 42,0 mm

Housing: PA66 GF (nylon), black
Secondary lock: PA66 GF (nylon), red
Pitch: 6 mm
Temperature range: -40 ~ 125 °C