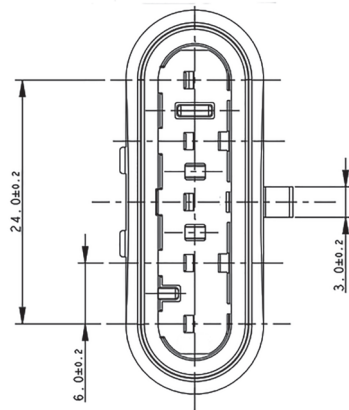


PART NR.  
**H282107-1**

COUNTRY OF ORIGIN:  
China

STANDARDS:  
REACH and RoHS compliant  
Waterproof

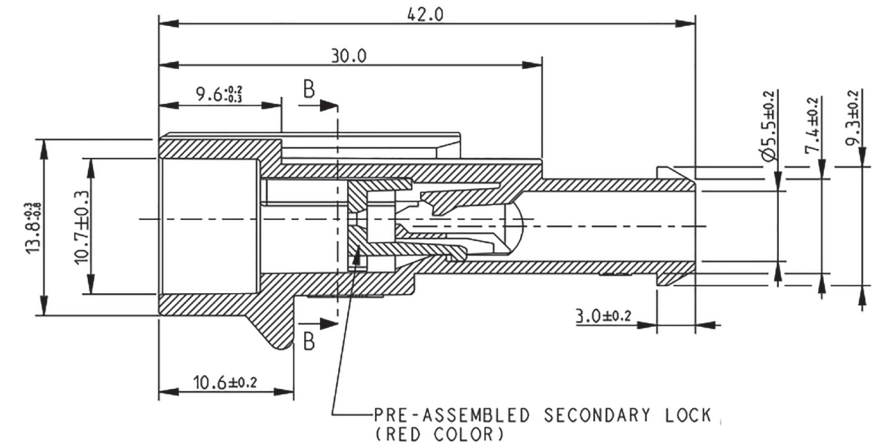
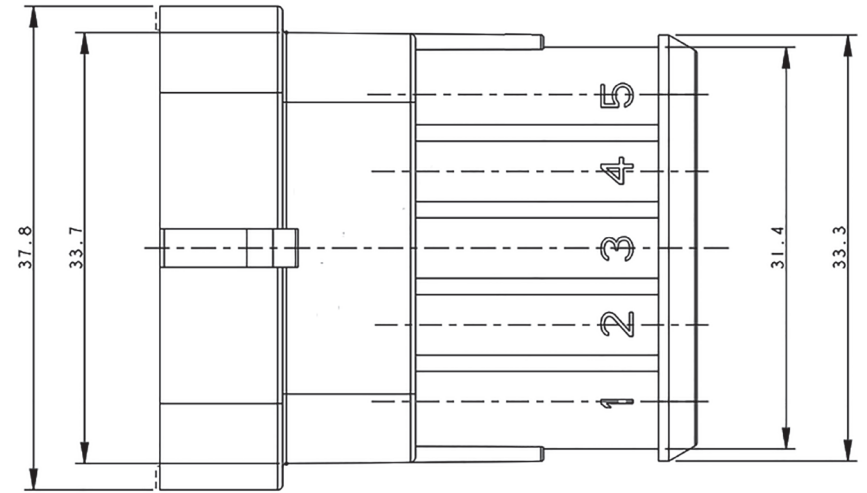
PHOTO / TECHNICAL DRAWING



DIMENSIONS

TECHNICAL SPECIFICATIONS

**5 POLE SUPERSEAL 1.5 SERIES MALE CONNECTOR**



Length: 42,0 mm

Housing: PA66 GF (nylon), black  
Secondary lock: PA66 GF (nylon), red  
Pitch: 6 mm  
Temperature range: -40 ~ 125 °C