

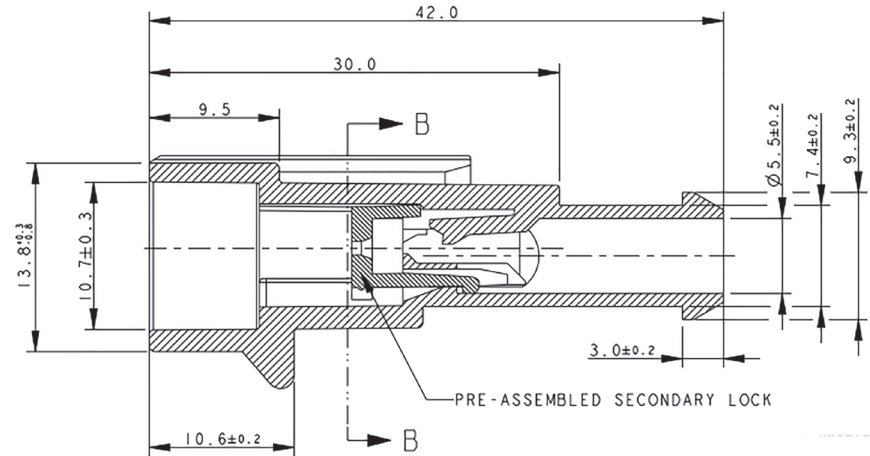
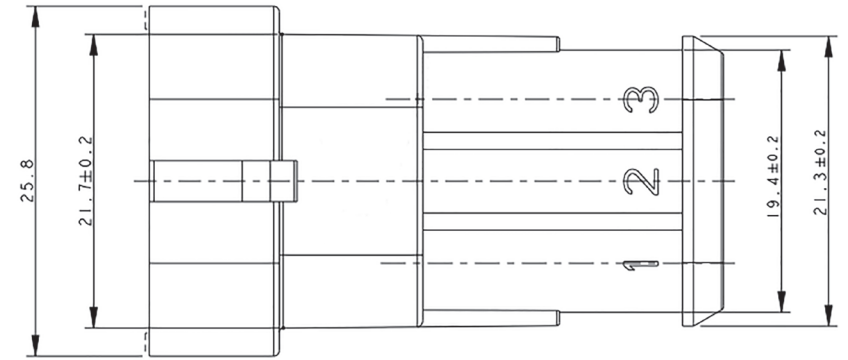
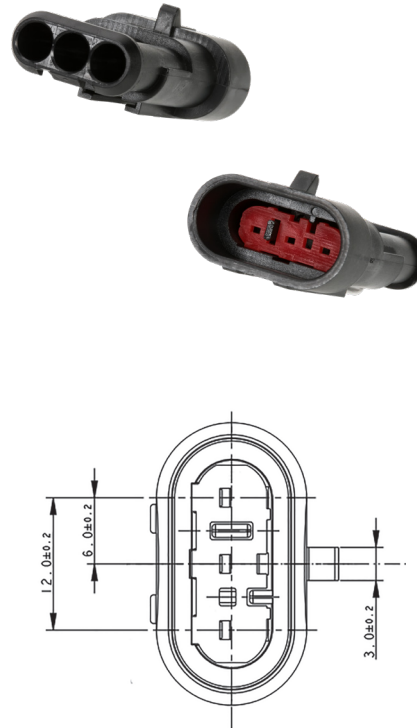
PART NR.  
**H282105-1**

COUNTRY OF ORIGIN:  
China

STANDARDS:  
REACH and RoHS compliant  
Waterproof

### 3 POLE SUPERSEAL 1.5 SERIES MALE CONNECTOR

#### PHOTO / TECHNICAL DRAWING



#### DIMENSIONS

Length: 42,0 mm

#### TECHNICAL SPECIFICATIONS

Housing: PA66 GF (nylon), black  
Secondary lock: PA66 GF (nylon), red  
Pitch: 6 mm  
Temperature range: -40 ~ 125 °C