

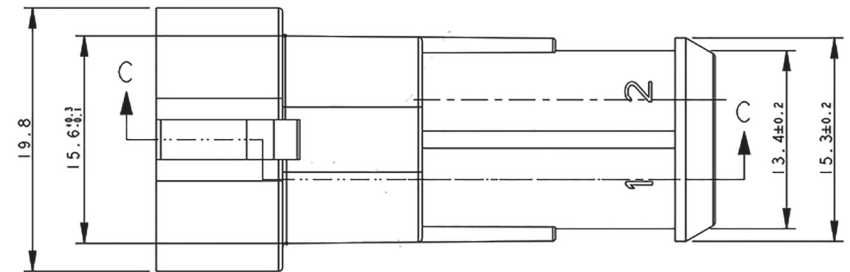
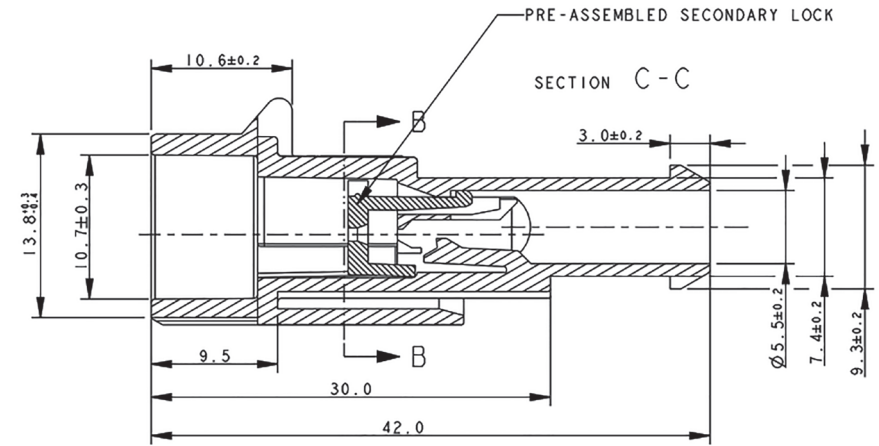
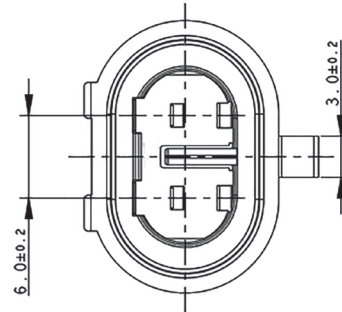
PART NR.
H282104-1

COUNTRY OF ORIGIN:
China

STANDARDS:
REACH and RoHS compliant
Waterproof

2 POLE SUPERSEAL 1.5 SERIES MALE CONNECTOR

PHOTO / TECHNICAL DRAWING



DIMENSIONS

Length: 42,0 mm

TECHNICAL SPECIFICATIONS

Housing: PA66 GF (nylon), black
Secondary lock: PA66 GF (nylon), red
Pitch: 6 mm
Temperature range: -40 ~ 125 °C