

PART NR.

See dimensions table

COUNTRY OF ORIGIN:

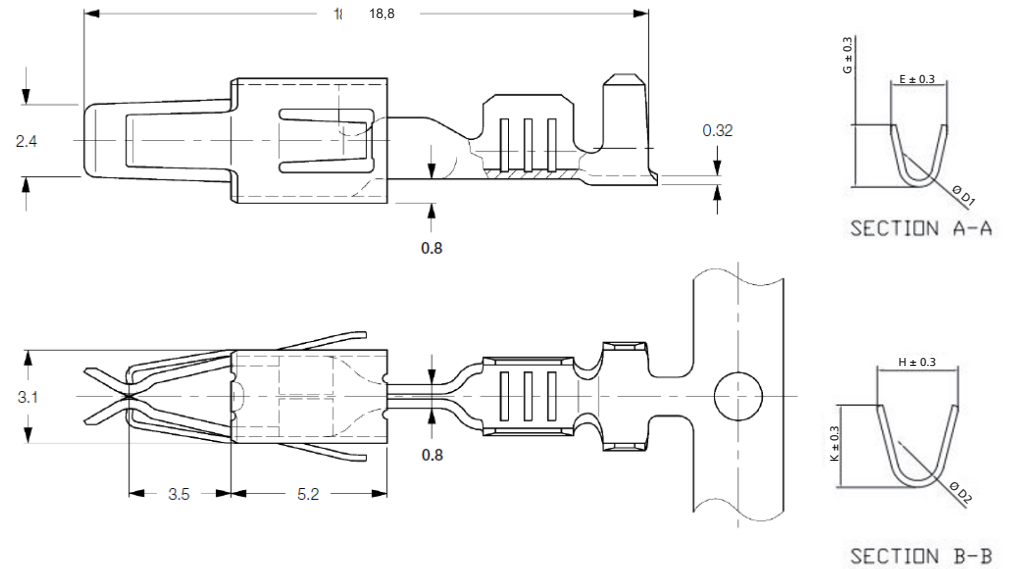
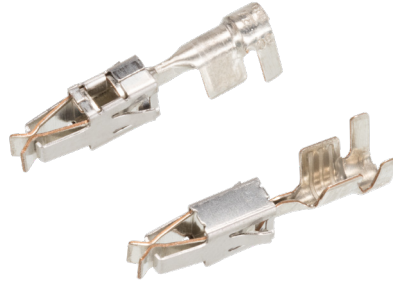
China

STANDARDS:

REACH and RoHS compliant

JUNIOR POWER TIMER FEMALE TERMINAL

PHOTO / TECHNICAL DRAWING



DIMENSIONS

Wire range	Part nr. tin plated	Tab-size	L	E	G	D1	H	K	D2	MOQ	UL
0,5~1,0	Terminal 11B	2,8x0,8	18,8	2,5	2,7	1,2	3,7	3,9	1,8	100	
1,5-2,5	Terminal 9A	2,8x0,8	18,8	3,6	3,8	1,8	4,7	4,9	2,6	100	

TECHNICAL SPECIFICATIONS

Material: Brass, tin plated
 For tabsize: 2,8x0,8 mm
 Temp. range: -40 ~ 130 °C
 Contact resistance: < 2 mΩ
 Insertion force: max. 15N
 Extraction force: min. 1.5N