

PART NR.  
**5251914**

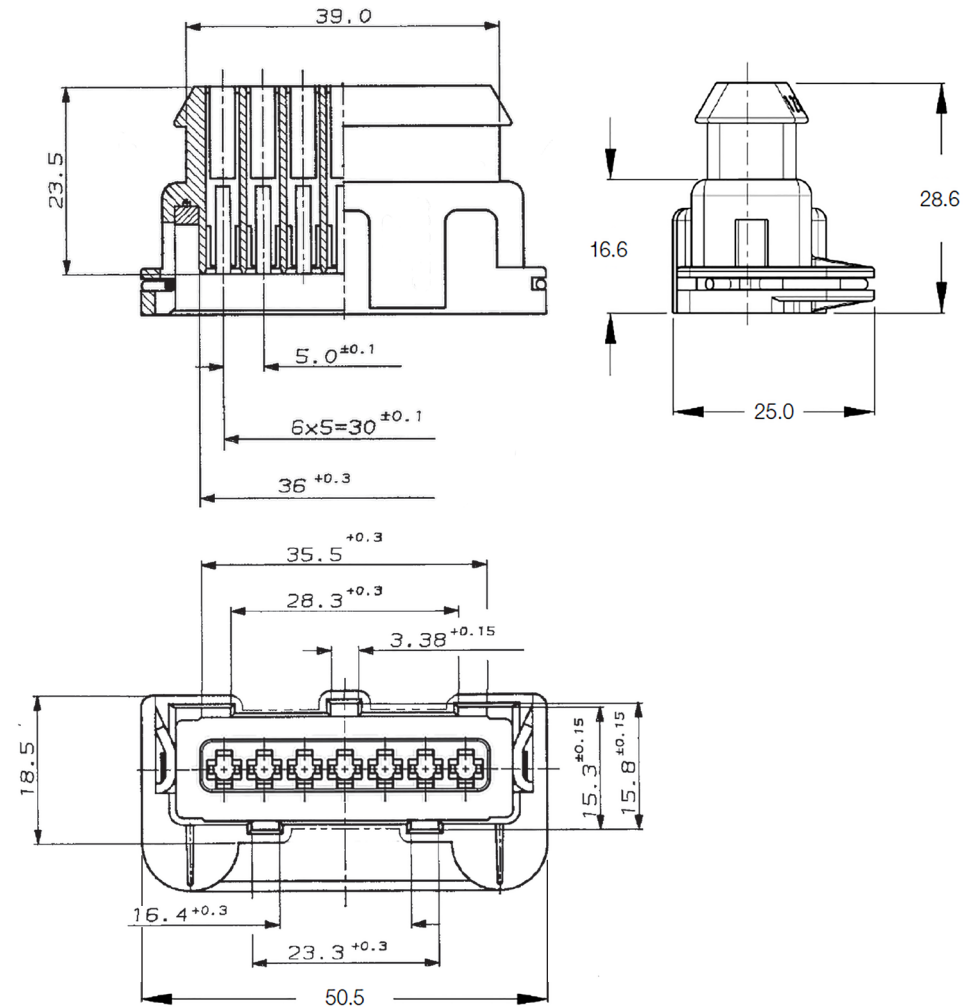
COUNTRY OF ORIGIN:  
**China**

STANDARDS:  
**REACH and RoHS compliant**

- CHARACTERISTICS:
- Without secondary locking
  - Splash waterproof with sealing

## 7 POLE JUNIOR POWER TIMER FEMALE HOUSING

### PHOTO / TECHNICAL DRAWING



### DIMENSIONS

L x W x H: 50,5 x 25,0 x 28,6 mm

### TECHNICAL SPECIFICATIONS

Housing: Nylon (PA66 GF)  
Spring: Stainless steel  
Sealing: Silicone rubber  
Pitch: 5 mm