

**PART NR.**

**8286573** black  
**8286572** grey  
**8286578** yellow  
**8275515** blue

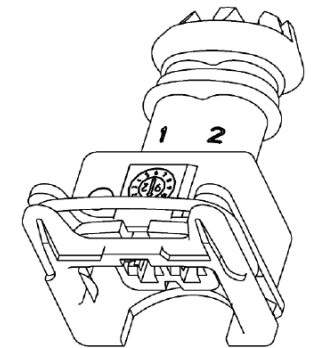
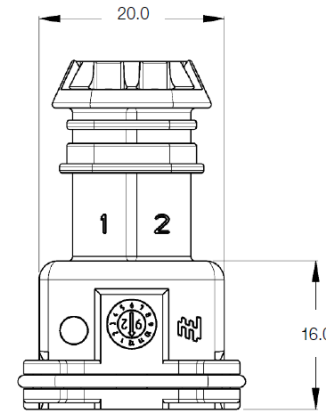
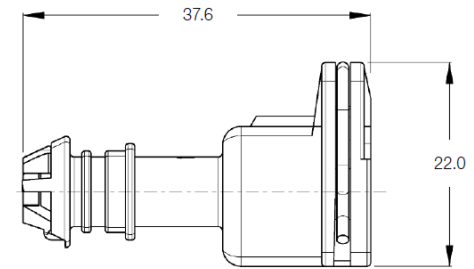
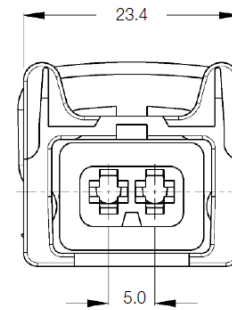
**COUNTRY OF ORIGIN:**  
China

**STANDARDS:**  
REACH and RoHS compliant

**CHARACTERISTICS:**  
• Splash waterproof with sealing

**2 POLE JUNIOR POWER TIMER FEMALE HOUSING**

**PHOTO / TECHNICAL DRAWING**



**DIMENSIONS**

L x W x H: 23,4 x 22,0 x 37,6 mm

**TECHNICAL SPECIFICATIONS**

Housing: Nylon (PA66 GF)  
Spring: Stainless steel  
Sealing: Silicone rubber  
Pitch: 5 mm