

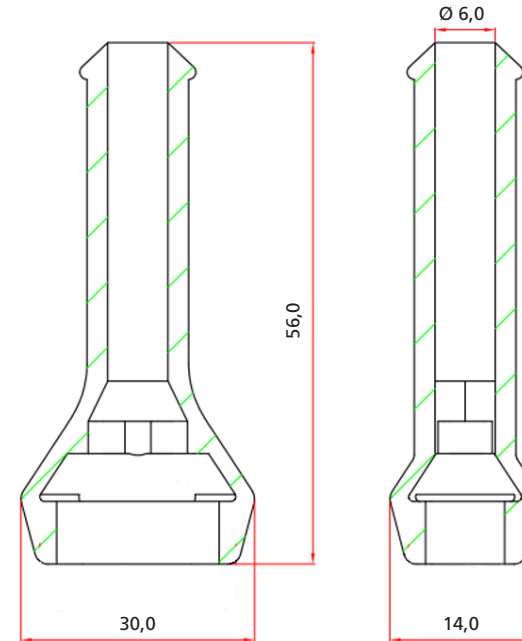
PART NR.
8808141

COUNTRY OF ORIGIN:
China

STANDARDS:
REACH and RoHS compliant

4 POLE JUNIOR POWER TIMER COVER

PHOTO / TECHNICAL DRAWING



DIMENSIONS

L x W x H 30,0 x 14,0 x 56,0 mm
Cable entrance: Ø 6,0 mm

TECHNICAL SPECIFICATIONS

Material: Elastomer, black