

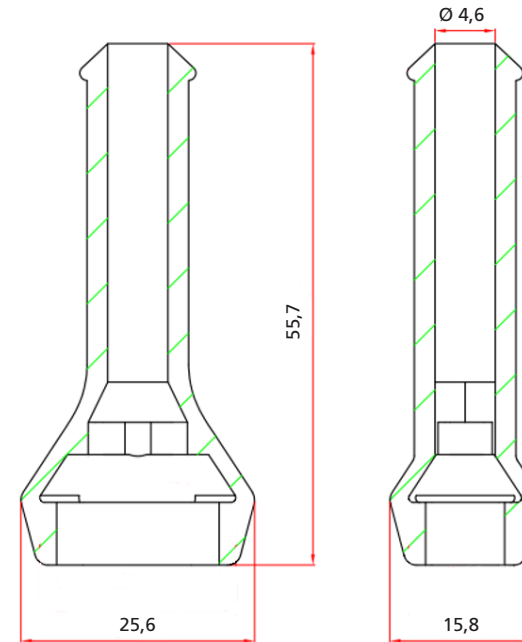
**PART NR.**  
**8808112**

**COUNTRY OF ORIGIN:**  
**China**

**STANDARDS:**  
**REACH and RoHS compliant**

### 3 POLE JUNIOR POWER TIMER COVER

PHOTO / TECHNICAL DRAWING



DIMENSIONS

L x W x H                    25,6 x 15,8 x 55,7 mm  
Cable entrance:            Ø 4,6 mm

TECHNICAL SPECIFICATIONS

Material:                    Elastomer, black