

**PART NR.**

See dimensions tables

**COUNTRY OF ORIGIN**

China

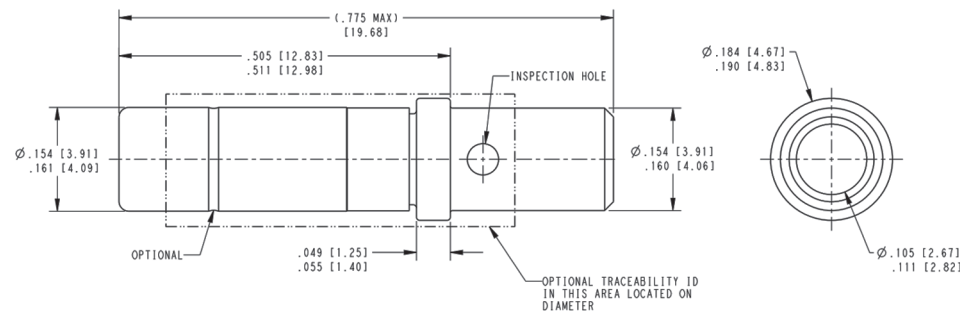
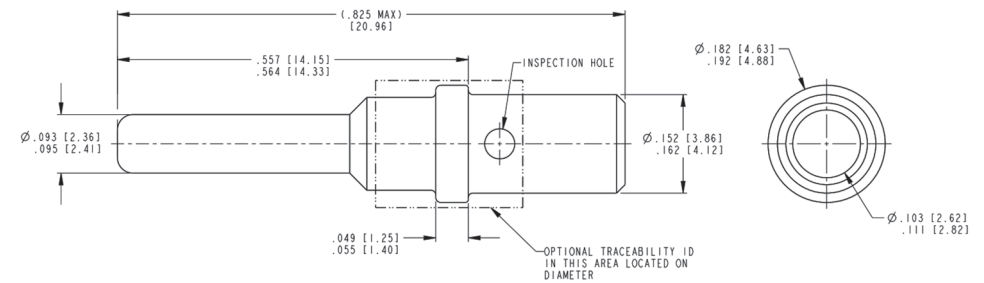
**STANDARDS**

REACH and RoHS compliant

**CHARACTERISTICS**

- Contact size 12
- Low halogen

**PHOTO / TECHNICAL DRAWING**



**DIMENSIONS**

	Part nr.	Wire range mm <sup>2</sup>	Wire range AWG	MOQ
Male terminal	0460-204-12141	2,0-3,0 mm <sup>2</sup>	14-12	100
Female terminal	0462-203-12141	2,0-3,0 mm <sup>2</sup>	14-12	100

**TECHNICAL SPECIFICATIONS**

Material: Brass, nickel plated  
 Primary locking feature: On the terminal  
 Temperature range: -55~125 °C  
 Typical current rating: 25A  
 Terminal transmits: 0~24A (low power)