

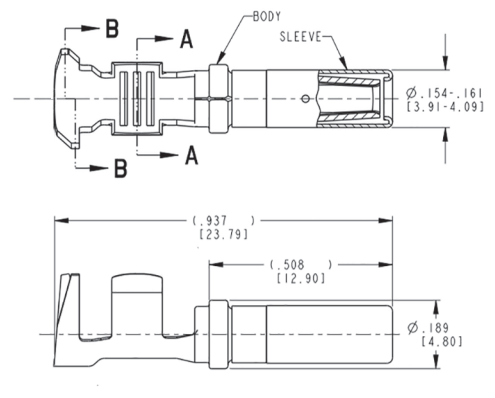
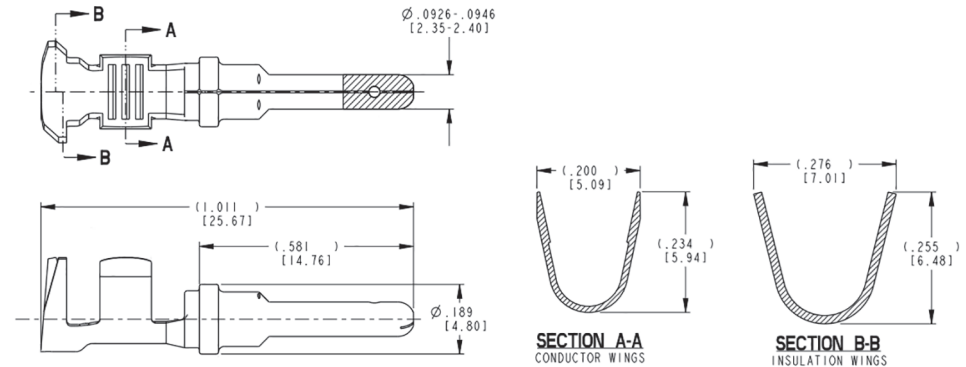
**PART NR.**  
See dimensions tables

**COUNTRY OF ORIGIN**  
China

**STANDARDS**  
REACH and RoHS compliant

- CHARACTERISTICS**
- Contact size 12
  - Low halogen

**PHOTO / TECHNICAL DRAWING**



**DIMENSIONS**

	Part nr.	Wire range mm <sup>2</sup>	Wire range AWG	MOQ
Male terminal	1060-40-0122	4,0-6,0 mm <sup>2</sup>	12-10	100
Female terminal	1062-40-0222	4,0-6,0 mm <sup>2</sup>	12-10	100

**TECHNICAL SPECIFICATIONS**

Material: Brass, nickel plated  
 Primary locking feature: On the terminal  
 Temperature range: -55~125 °C  
 Typical current rating: 25A  
 Terminal transmits: 0~24A (low power)