

PART NR.
DT04-12P

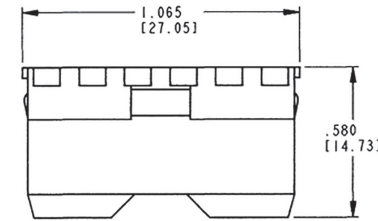
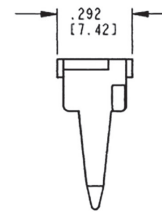
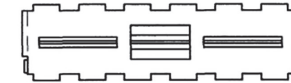
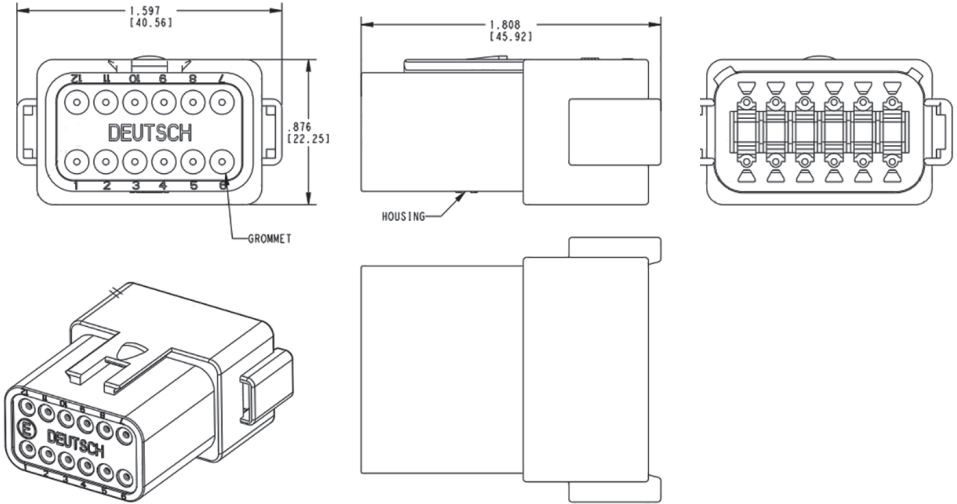
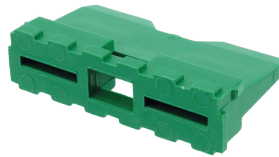
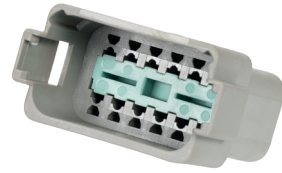
COUNTRY OF ORIGIN
China

STANDARDS
REACH and RoHS compliant
Flammability: UL94 V-0
Protection: IP68, IP6K9K

CHARACTERISTICS

- With grommet and wedge lock
- To be used with size 16 terminals, max 13A

PHOTO / TECHNICAL DRAWING



DIMENSIONS

L x W x H:

45,92 x 40,56 x 22,25 mm (housing)
14,73 x 27,05 x 7,42 mm (wedge lock)

TECHNICAL SPECIFICATIONS

Housing: PA66 GF15, grey
Grommet: VMQ silicone, burnt red
Wedge lock: PBT, green
Temperature range: -55~125 °C
Max. current rating: 13A