

PART NR.
DT06-08SA

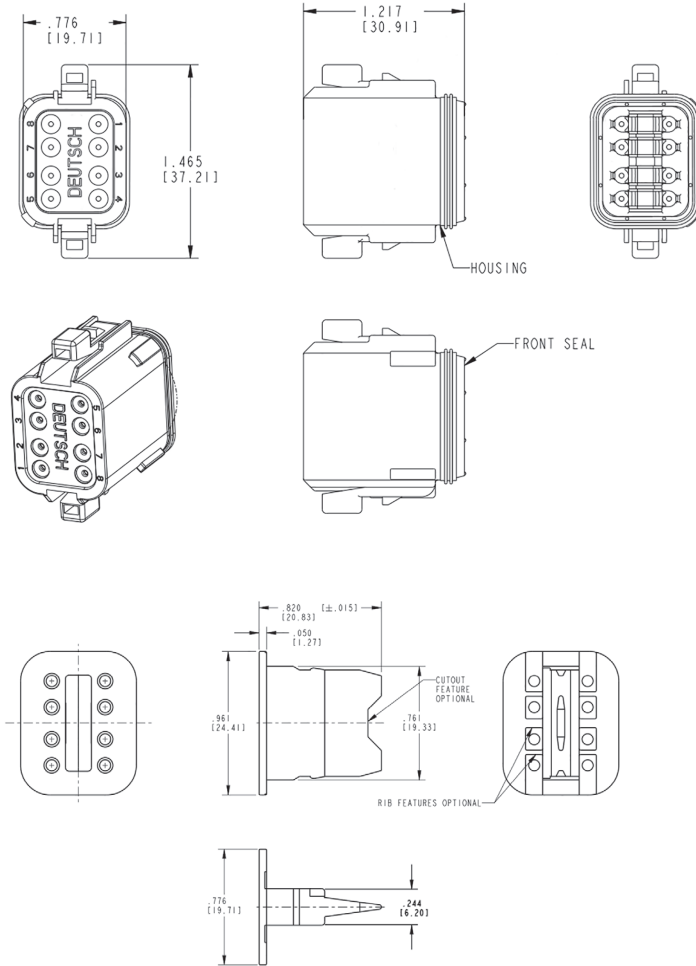
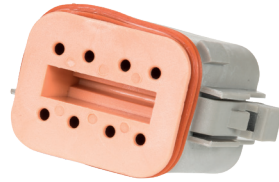
COUNTRY OF ORIGIN
China

STANDARDS
REACH and RoHS compliant
Flammability: UL94 V-0
Protection: IP68, IP6K9K

CHARACTERISTICS

- With grommet and wedge lock
- To be used with size 16 terminals, max 13A

PHOTO / TECHNICAL DRAWING



8 POLE FEMALE DEUTSCH DT CONNECTOR

DIMENSIONS

L x W x H:

30,91 x 37,21 x 19,71 mm (housing)
20,83 x 24,41 x 19,71 mm (wedge lock)

TECHNICAL SPECIFICATIONS

Housing: PA66 GF15, grey
Grommet: VMQ silicone, burnt red
Front seal: VMQ silicone, burnt red
Wedge lock: PBT, orange
Temperature range: -55~125 °C
Max. current rating: 13A