

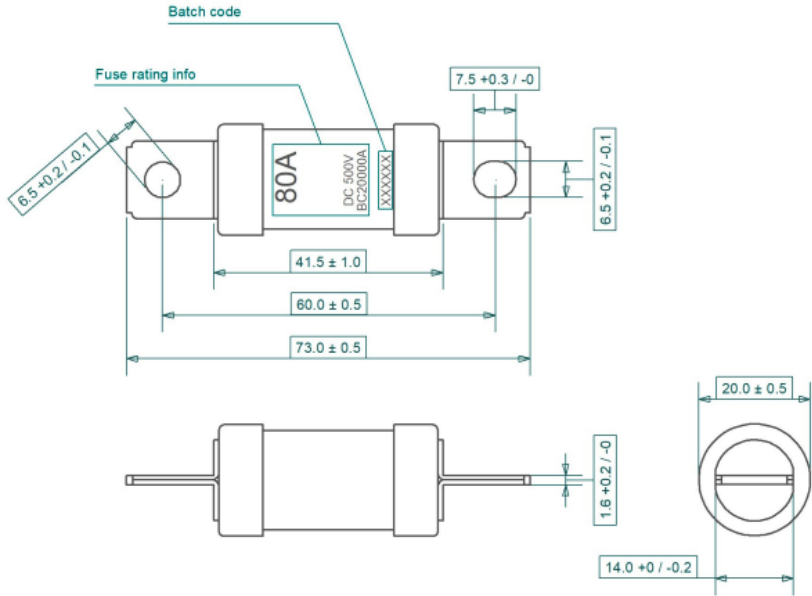
PART NR.
See rating table

COUNTRY OF ORIGIN
Japan

STANDARDS
REACH and RoHS compliant
ISO 8820-8

- CHARACTERISTICS**
- Meets international specs, complies to ISO 8820-8 and other standards
 - Ceramic tube, laser marked, silica sand filled
 - Rigid Sn-plated copper connections
 - M6 connection holes, spaced 60 mm
 - Maximum torque 9.0 Nm ± 1.0 Nm
 - Breaking capacity: 20.000 A at 500 Vdc

PHOTO / TECHNICAL DRAWING



DIMENSIONS

L x Ø: 41,5 (+31,5) x 20 mm

RATING TABLE

Part nr.	Rating (A)	Rating (V)	Holes
EV28-060-M6	60	500	M6
EV28-070-M6	70	500	M6
EV28-080-M6	80	500	M6
EV28-100-M6	100	500	M6
EV28-125-M6	125	500	M6

TECHNICAL SPECIFICATIONS

Bbody:	Ceramic tube, silica sand filled
Element:	Copper or copper alloy
Connections:	Copper, tin plated
Hole size:	M6, spaced 60 mm
Operating temp.:	-40 ~ 85 °C
Operating humidity:	Max. 95%
Max. torque:	9 ± 1 Nm
Breaking capacity:	20000A@500Vdc