

PART NR.

See dimensions table
"T" = Telemecanique
"W" = Weidmüller

COUNTRY OF ORIGIN

Germany

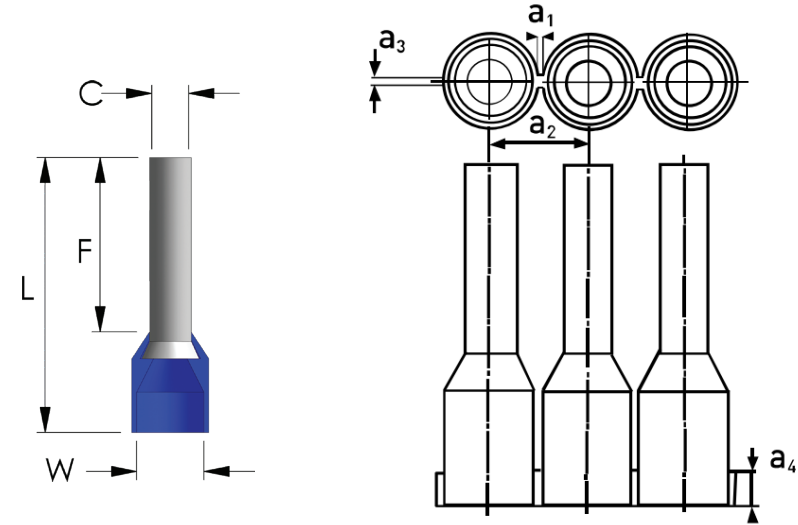
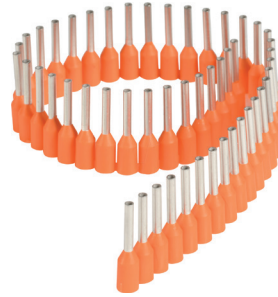
STANDARDS

REACH and RoHS compliant
DIN 46228/4

Compliant to EU directives 2002/96/EC (WEEE),
2002/95/EC (ROHS) AND 2003/11/CE

CORD END TERMINAL - CUT-STRIPS

PHOTO / TECHNICAL DRAWING



DIMENSIONS

Wire range	C	Part nr. "T"	UL	C	Part nr. "W"	UL	C	Part nr. DIN	UL	a1	a2	a3	a4	Packed
0,50 mm ² / 20 AWG		AHW 0.50N STRIP	✓	Orange	AHW 0.50N STRIP	✓		AHW 0.50N STRIP	✓	0,2	3,6	0,25	1,5	10 x 50 pcs
0,75 mm ² / 19 AWG	Blue	AHB 0.75N STRIP	✓		AHW 0.75N STRIP	✓	Grey	AHGRS 0.75N STRIP	✓	0,2	3,6	0,25	1,5	10 x 50 pcs
1,00 mm ² / 18 AWG	Red	AHR 1.00N STRIP	✓	Yellow	AHG 1.00N STRIP	✓	Red	AHR 1.00N STRIP	✓	0,2	4,2	0,25	1,5	10 x 50 pcs
1,50 mm ² / 16 AWG	Black	AHZ 1.50N STRIP	✓	Red	AHR 1.50N STRIP	✓	Black	AHZ 1.50N STRIP	✓	0,2	4,2	0,25	1,5	10 x 50 pcs
2,50 mm ² / 14 AWG	Grey	AHGRS 2.50N STRIP	✓	Blue	AHB 2.50N STRIP	✓	Blue	AHB 2.50N STRIP	✓	0,2	5,0	0,25	1,5	10 x 50 pcs

TECHNICAL SPECIFICATIONS

Terminal:

Red copper (Cu-ETP),
electro tin plated

Insulation:

Polypropylene (PP)

Min. coating thickness:

3 µm

Max. temperature:

105 °C