

ADHESIVE TIE MOUNT WITH SCREW HOLE

PART NR.

See dimensions table

COUNTRY OF ORIGIN:

Taiwan

STANDARDS:

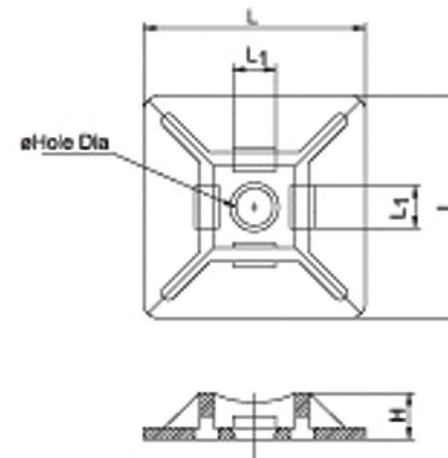
REACH and RoHS compliant

Flammability: UL94 V-2

CHARACTERISTICS:

- Nylon 6.6 with quality adhesive and screw hole
- Available in black (UV resistant) and natural
- Cable ties can be inserted from any of the 4 ways: no need for orientation of the tie

PHOTO / TECHNICAL DRAWING



DIMENSIONS

Part nr.	Color	Size	H	L1	Ø Hole	Packed
KBH-1Z	UV black	19,0 x 19,0	4,4	4,0	3,5	100
KBH-1	natural	19,0 x 19,0	4,4	4,0	3,5	100
KBH-2Z	UV black	27,7 x 27,7	5,3	5,3	5,7	100
KBH-2	natural	27,7 x 27,7	5,3	5,3	5,7	100

TECHNICAL SPECIFICATIONS

Material:

Nylon (PA66)

Operating temperature:

-40 ~ 85 °C