

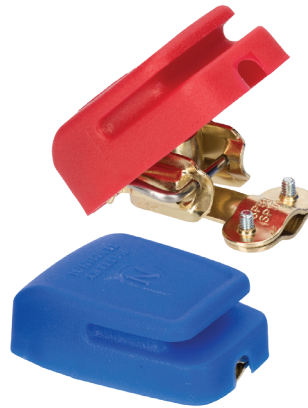
**PART NR.**  
QLAK001  
QLAKR01  
QLAKB01

positive/negative set  
positive (red)  
negative (blue)

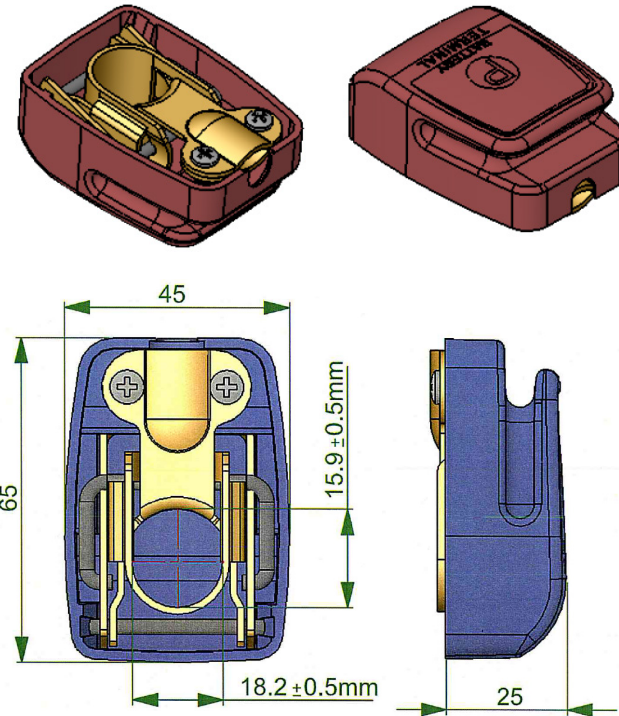
**COUNTRY OF ORIGIN**  
Taiwan

**STANDARDS**  
REACH and RoHS compliant

**PHOTO / TECHNICAL DRAWING**



**BATTERY TERMINAL - QUICK RELEASE**



**DIMENSIONS**

L x W x H: 65 x 45 x 25 mm

**TECHNICAL SPECIFICATIONS**

Cover:	Polyethylene (PE), red or blue
Terminal:	Steel, brass plated
Plate:	Steel, brass plated
Axis:	Stainless steel 304
Screws:	Round Phillips head, 4x10x0.75 mm Steel, zinc plated