

PART NR.
ACPK017P positive
ACPK017N negative

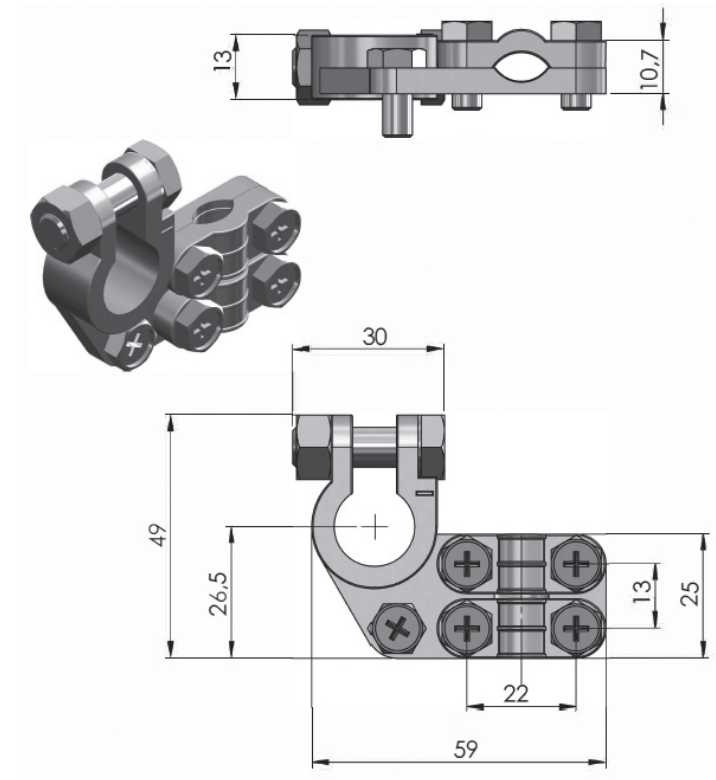
COUNTRY OF ORIGIN:
Italy

STANDARDS:
REACH and RoHS compliant

PHOTO / TECHNICAL DRAWING



BATTERY TERMINAL - ALPHA TYPE WITH DOUBLE PLATES



DIMENSIONS

L x B x H: 49 x 59 x 10,7 mm

TECHNICAL SPECIFICATIONS

Terminal: Brass, zinc plated
Plates: Brass, zinc plated
Bolts: Zinc plated, hex head
1 x M8x25, 5 x M6x14
Nut: Zinc plated, M8