

PART NR.

ACPK014

positive

ACPK014

negative

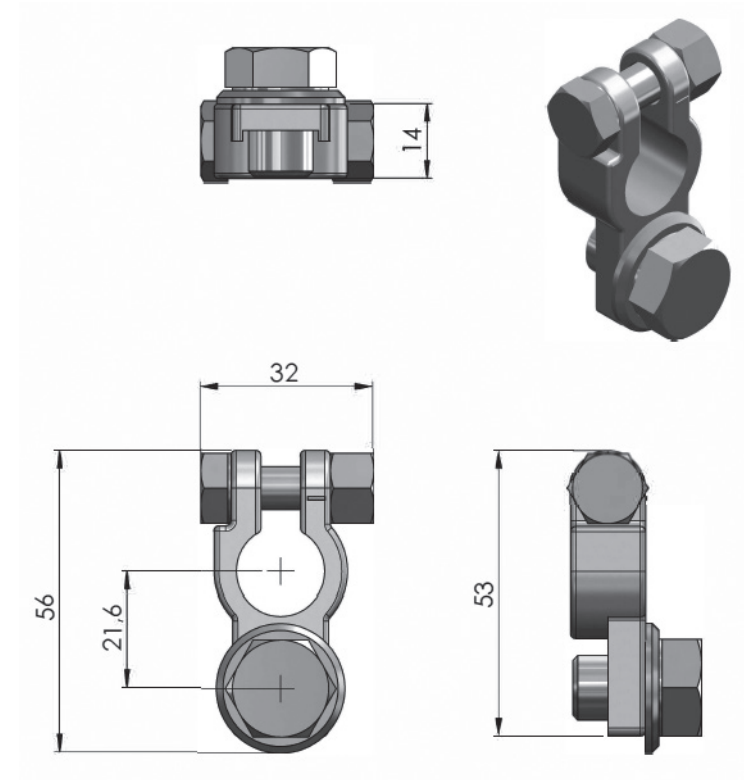
COUNTRY OF ORIGIN:

Italy

STANDARDS:

REACH and RoHS compliant

PHOTO / TECHNICAL DRAWING



DIMENSIONS

L x B x H:

56 x 32 x 14 mm

TECHNICAL SPECIFICATIONS

Terminal:

Brass, zinc plated

Bolts:

Hex head, zinc plated,

1 x M8x25, 1 x M12x16

Nut:

Zinc plated, M8

Washer:

Zinc plated, M12

www.ae-industries.nl