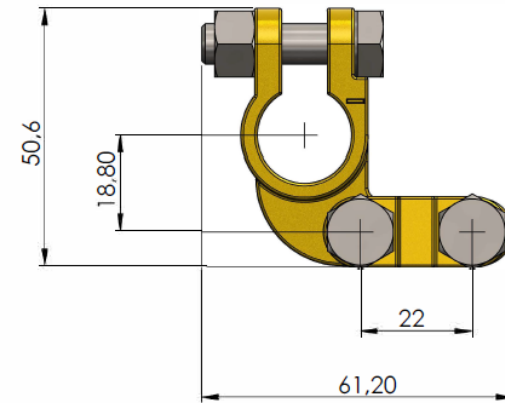
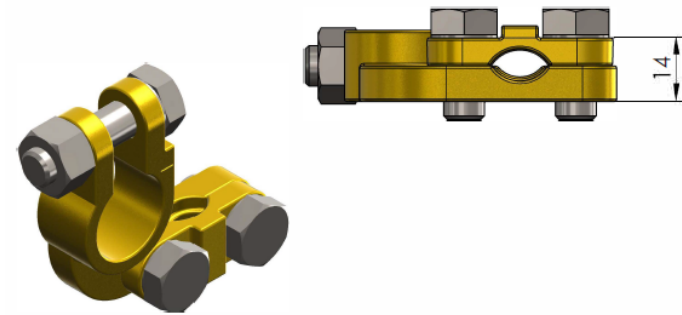


PART NR.
ACPK012P positive
ACPK012N negative

COUNTRY OF ORIGIN:
Italy

STANDARDS:
REACH and RoHS compliant

PHOTO / TECHNICAL DRAWING



DIMENSIONS

L x B x H: 50,6 x 61,20 x 14 mm

TECHNICAL SPECIFICATIONS

Terminal:	Brass
Plate:	Brass
Bolts:	Hex head, zinc plated 1 x M8x30, 2 x M8x16
Nut:	M8, zinc plated