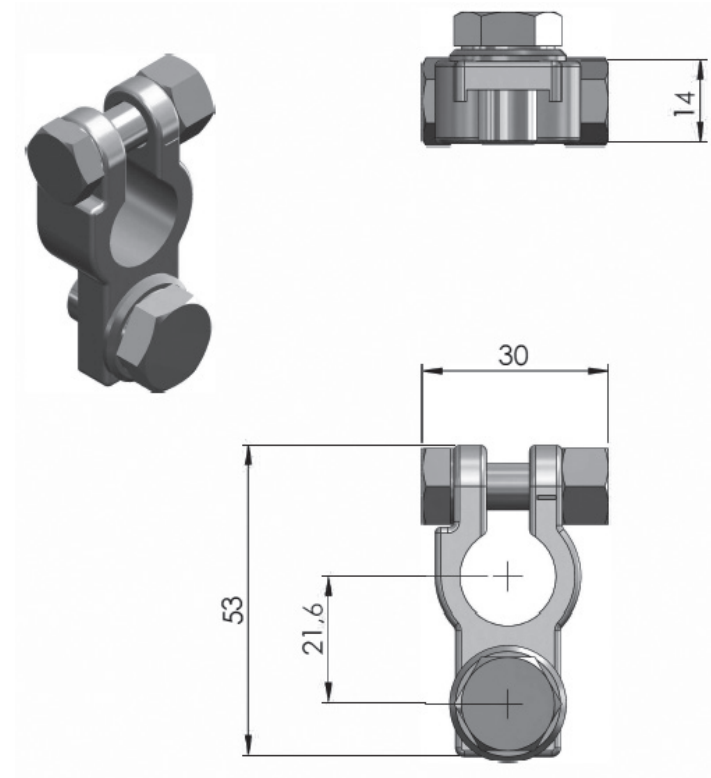


PART NR.
ACPK010P positive
ACPK010N negative

COUNTRY OF ORIGIN:
Italy

STANDARDS:
REACH and RoHS compliant

PHOTO / TECHNICAL DRAWING



DIMENSIONS

L x B x H: 30 x 53 x 14 mm

TECHNICAL SPECIFICATIONS

Terminal: Brass, zinc plated
Bolts: Hex head, zinc plated
1 x M8x25, 1 x M10x16mm
Nut: M8, zinc plated
Washer: M10, zinc plated