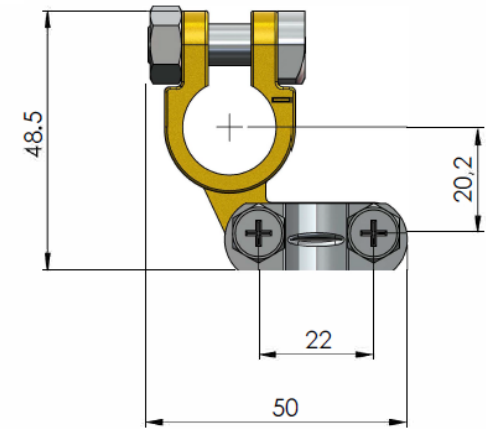
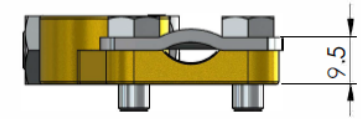
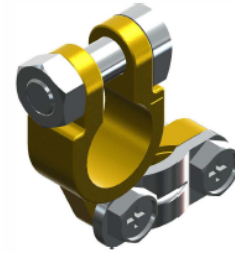


PART NR.  
**ACPK009** positive  
**ACPK009** negative

COUNTRY OF ORIGIN:  
Italy

STANDARDS:  
REACH and RoHS compliant

PHOTO / TECHNICAL DRAWING



DIMENSIONS

L x B x H: 48,5 x 50 x 9,5 mm

TECHNICAL SPECIFICATIONS

Terminal: Brass, zinc plated  
Plate: Galvanized  
Bolts: Zinc plated  
1 x M8x25, special head  
2 x M6x14, hex head  
Nut: Zinc plated, M8