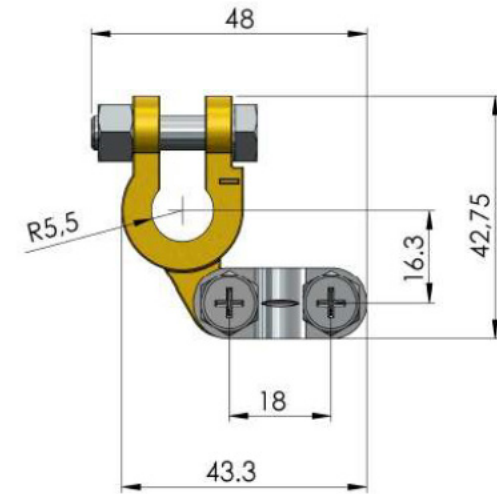
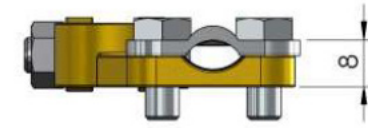


PART NR.
ACPK008 positive
ACPK008 negative

COUNTRY OF ORIGIN:
Italy

STANDARDS:
REACH and RoHS compliant

PHOTO / TECHNICAL DRAWING



DIMENSIONS

L x B x H: 42,75 x 48 x 8 mm

TECHNICAL SPECIFICATIONS

Terminal: Brass
Plate: Galvanized
Bolts: Hex head, zinc plated
2 x M6x14, 1 x M6x30
Nut: Zinc plated, M6