

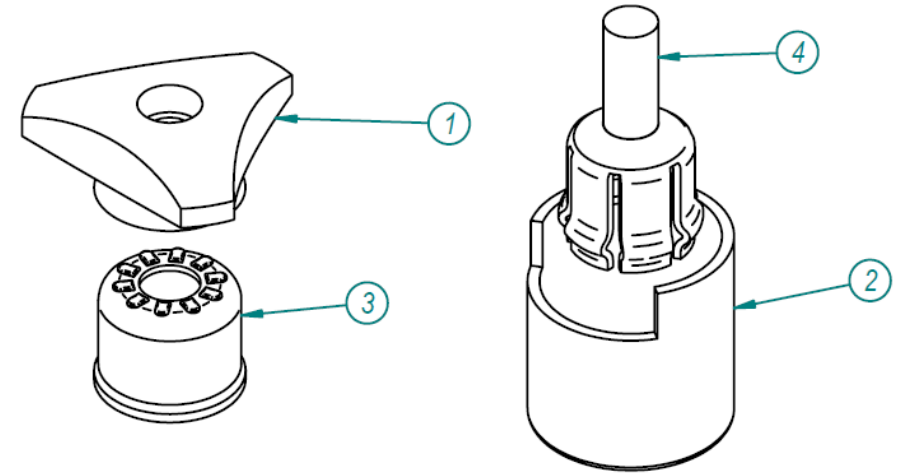
PART NR.
ACPK004P positive (red)
ACPK004N negative (green)

COUNTRY OF ORIGIN:
Spain

STANDARDS:
REACH and RoHS compliant
DIN 6784
ISO 2768-mK
ISO 1101
ISO 1302

BATTERY TERMINAL - RENAULT TYPE

PHOTO / TECHNICAL DRAWING



DIMENSIONS

H x Ø: 31 (46 mm incl. knob) x 30 mm

TECHNICAL SPECIFICATIONS

Body:	Polyethylene
Knob:	Polyethylene
Bolt with clamp:	With M8 steel nut, zinc plated
Clamp housing:	Steel, tin plated
Rating:	12-24V