

PART NR.

ACPK003P8 positive
ACPK003N8 negative

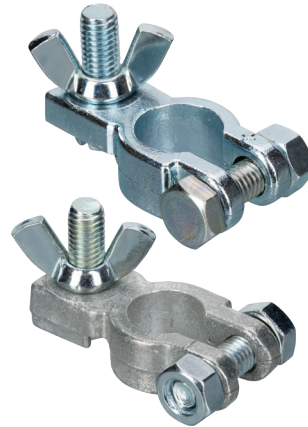
COUNTRY OF ORIGIN:

Italy

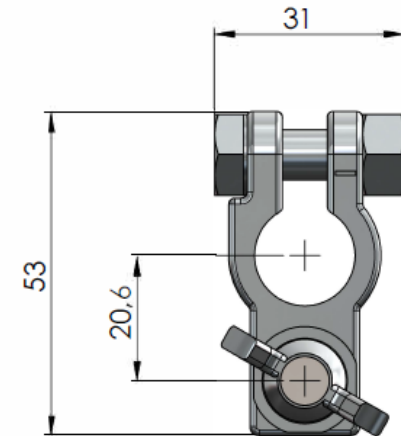
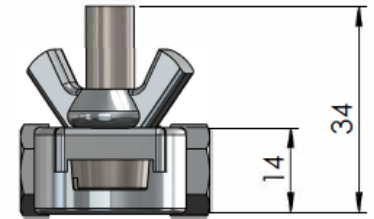
STANDARDS:

REACH and RoHS compliant

PHOTO / TECHNICAL DRAWING



BATTERY TERMINAL - NAUTICAL TYPE



DIMENSIONS

L x B x H:

31 x 53 x 14 (+20) mm

TECHNICAL SPECIFICATIONS

Terminal:

Brass, zinc plated

Bolts:

Hex head, zinc plated, M8x25

Nuts:

M8, zinc plated

1 x butterfly nut, 1 x hex nut