

PART NR.

ACPK002P10
ACPK002N10

positive
negative

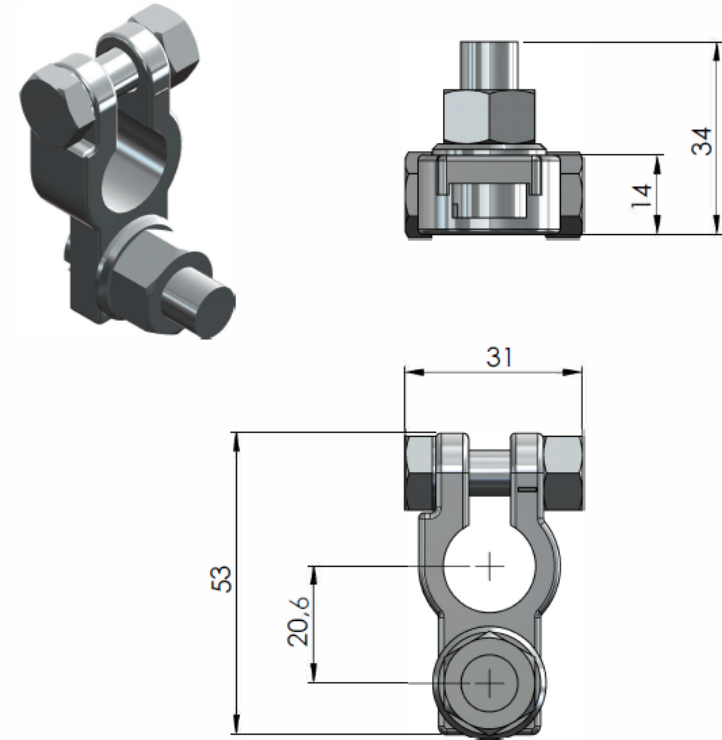
COUNTRY OF ORIGIN:

Italy

STANDARDS:

REACH and RoHS compliant

PHOTO / TECHNICAL DRAWING



DIMENSIONS

L x B x H: 53 x 31 x 14 (+20) mm

TECHNICAL SPECIFICATIONS

Terminal: Brass, zinc plated
Bolts: Hex head, zinc plated
1 x M8x25, 1 x M10
Nuts: Zinc plated, 1 x M8, 1 x M10
Washer: Zinc plated, M10