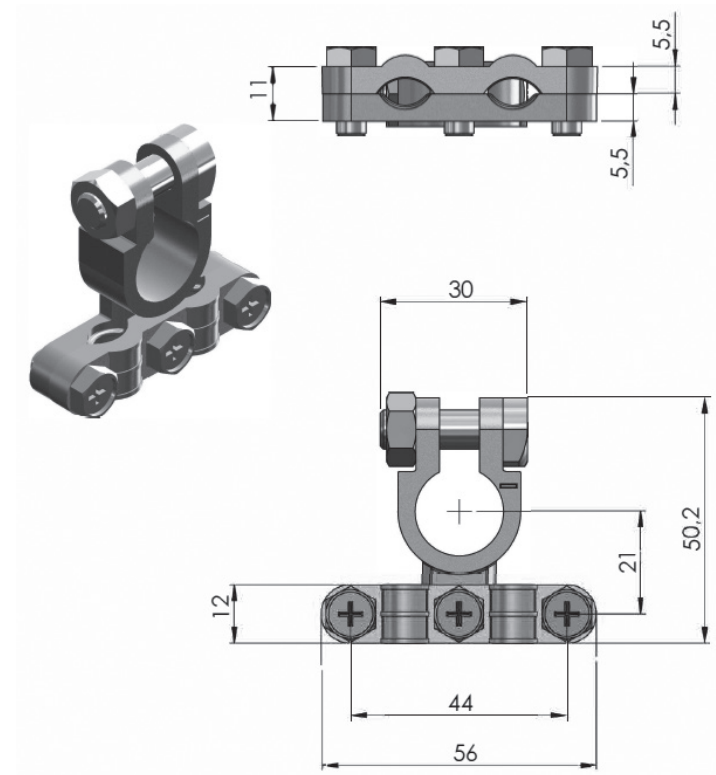


PART NR.
ACPK001P positive
ACPK001N negative

COUNTRY OF ORIGIN:
Italy

STANDARDS:
REACH and RoHS compliant

PHOTO / TECHNICAL DRAWING



DIMENSIONS

L x B x H: 50,2 x 56 x 11 mm

TECHNICAL SPECIFICATIONS

Terminal: Brass, zinc plated
Plate: Brass, zinc plated
Bolts: Hex head, zinc plated
1 x M8x25, 3 x M6x14mm
Nut: M8, zinc plated