

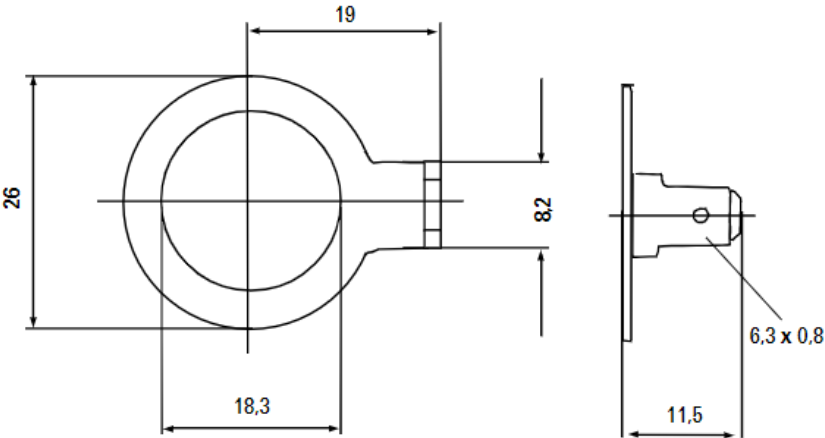
**EARTH CLAMPING RING**

**PART NR.  
MKRMS001**

**COUNTRY OF ORIGIN:  
POLAND**

**STANDARDS:  
REACH and RoHS compliant**

PHOTO / TECHNICAL DRAWING



DIMENSIONS

Ø x H: 26 x 11,5 mm  
Inner Ø: 18,3 mm

TECHNICAL SPECIFICATIONS

Ring: Copper  
Contact termination: Flat terminal, 6.3x0.8 mm