

**PART NR.**  
**STAS012**

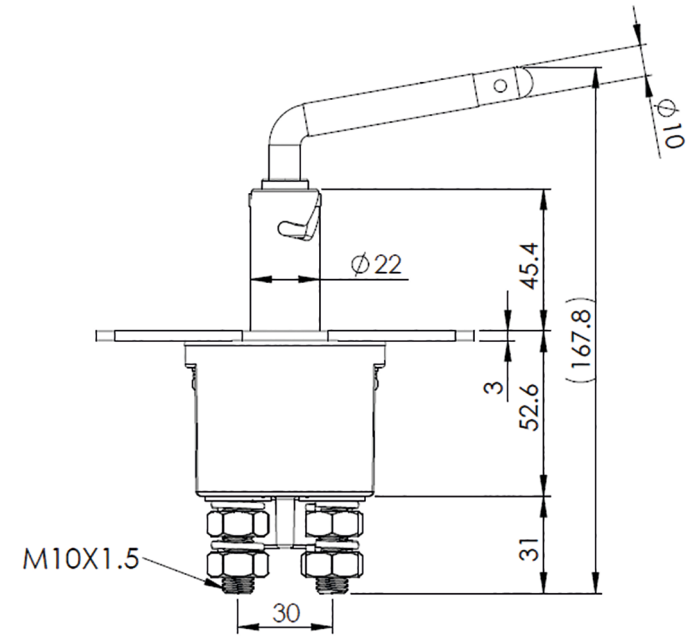
**COUNTRY OF ORIGIN:**  
**Taiwan**

**STANDARDS:**  
**REACH and RoHS compliant**  
**Protection IP56**

**CHARACTERISTICS:**

- Battery isolation switch for heavy duty
- Dual circuit
- The handle is removable in the Off-position
- Ignition protected

**PHOTO / TECHNICAL DRAWING**

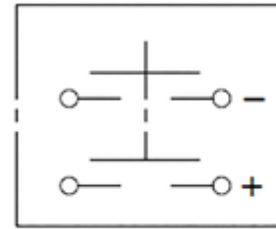
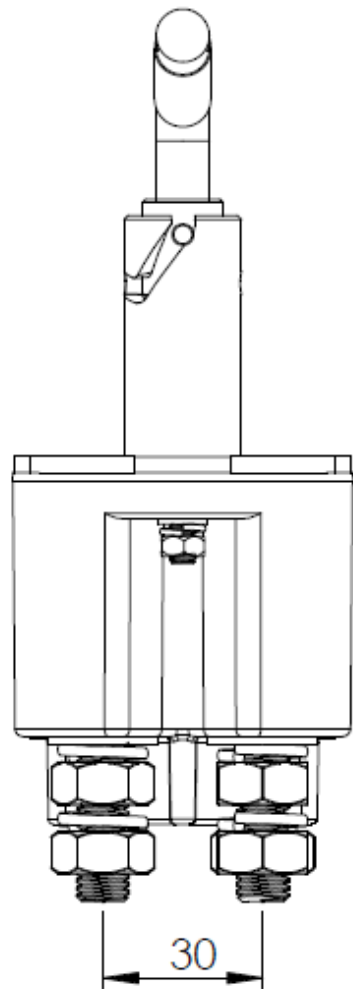


**DIMENSIONS**

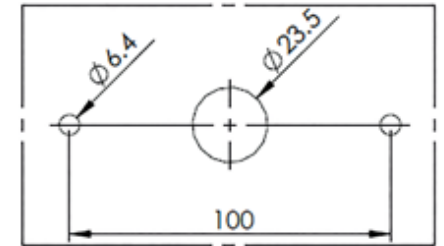
L x W x H: 120,2 x 64 x 167,8 mm

**TECHNICAL SPECIFICATIONS**

Contact termination: M10xP1,5xL31 stud terminals, copper  
 Positions: Off-On  
 Panel aperture:  $\phi 23$  mm, screw holes 100 mm apart  
 Rating: 12V, 300A continuous, 450A intermittent (5 min), 1500A cranking (10 sec)



CIRCUIT DIAGRAM



PANEL APERTURE

