

PART NR.  
**STAS011**

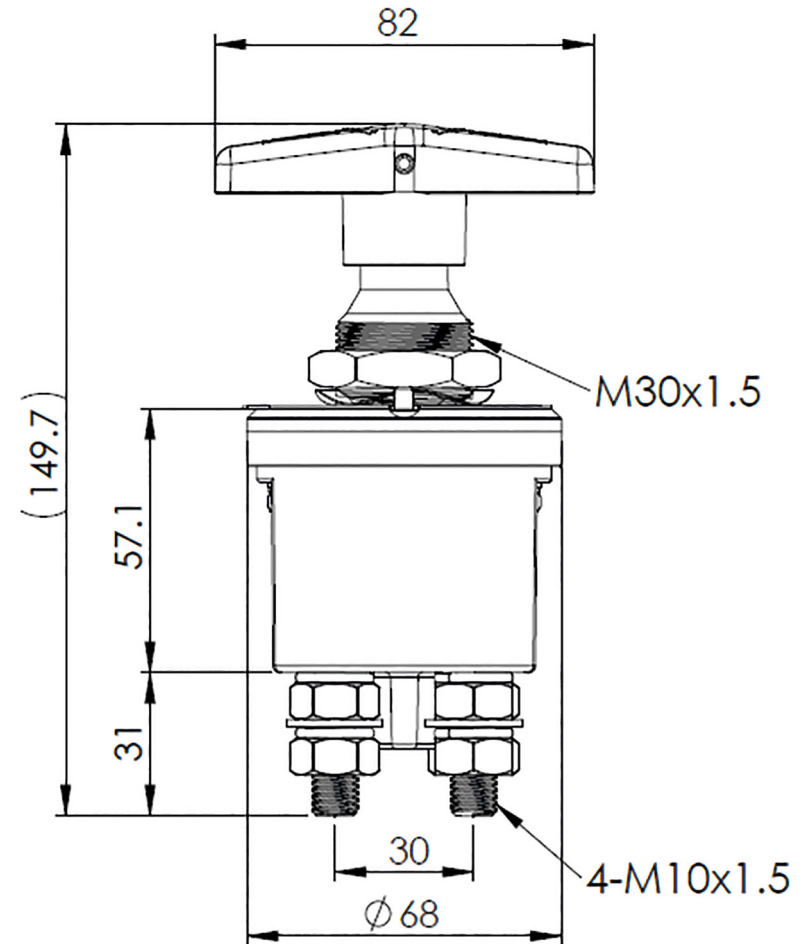
COUNTRY OF ORIGIN:  
Taiwan

STANDARDS:  
REACH and RoHS compliant  
Protection IP56

CHARACTERISTICS:

- Battery isolation switch for heavy duty
- Dual circuit
- Ignition protected

PHOTO / TECHNICAL DRAWING

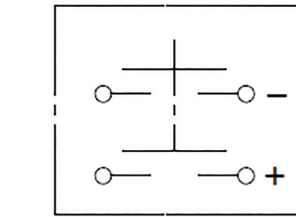
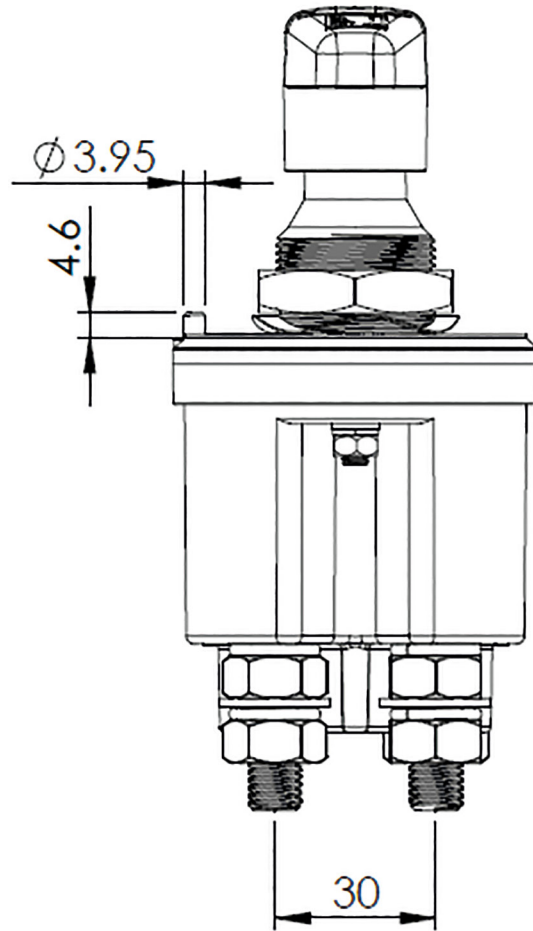


DIMENSIONS

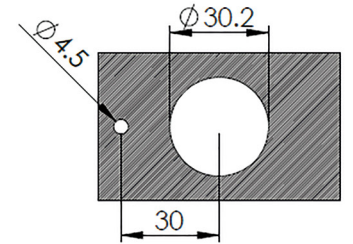
Ø x H: 68 (82) x 149,7 mm

TECHNICAL SPECIFICATIONS

Contact termination: M10xP1,5xL31 stud terminals, copper  
 Positions: Off-On  
 Panel aperture: Ø 30,2 mm  
 Rating: 12V, 300A continuous, 450A intermittent (5 min), 1500A cranking (10 sec)



CIRCUIT DIAGRAM



PANEL APERTURE

