

CIRCUIT BREAKER

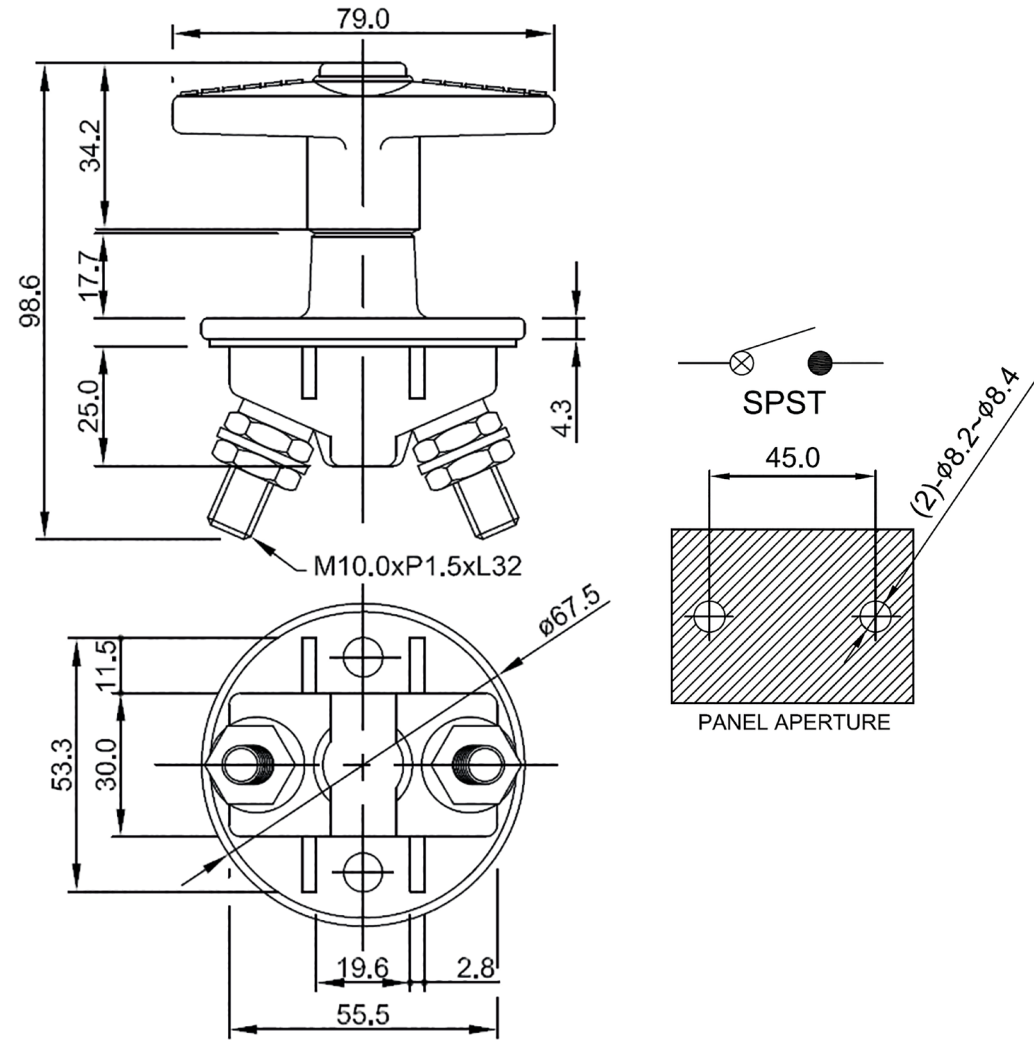
PART NR.
STAS009

COUNTRY OF ORIGIN:
Taiwan

STANDARDS:
REACH and RoHS compliant

- CHARACTERISTICS:**
- Single pole single throw switch
 - Black T-handle is not removable

PHOTO / TECHNICAL DRAWING



DIMENSIONS

Ø x H: 79,0 x 98,6 mm

TECHNICAL SPECIFICATIONS

Housing:	Zinc, white paint coating
Contact termination:	M10xP1,5xL32 stud terminals, copper
Positions:	Off-On
Panel aperture:	Screw holes 45 mm apart
Rating:	12V, 300A continuous, 800A intermittent