

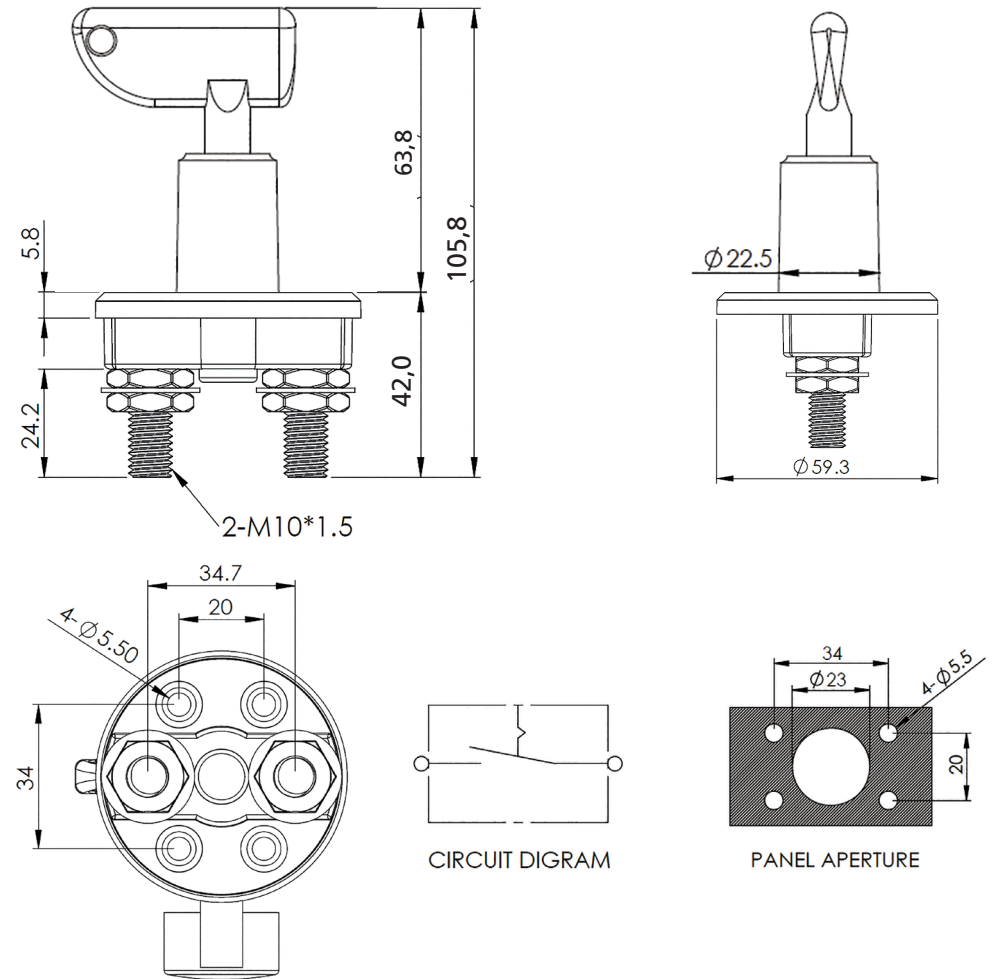
PART NR.
STAS004

COUNTRY OF ORIGIN:
Taiwan

STANDARDS:
REACH and RoHS compliant

- CHARACTERISTICS:**
- Single pole single throw switch
 - The key is only removable in the Off-position

PHOTO / TECHNICAL DRAWING



DIMENSIONS

ϕ x H:

59,3 x 105,8 mm

TECHNICAL SPECIFICATIONS

Contact termination:

Positions:

Panel aperture:

Rating:

M10x1,5xL24,2 stud terminals, copper
Off-On

ϕ 23 mm, screw holes 20 and 34 mm apart
12V, 300A continuous, 800A intermittent