

PART NR.
STAS001
KEY001

circuit breaker with key
spare key

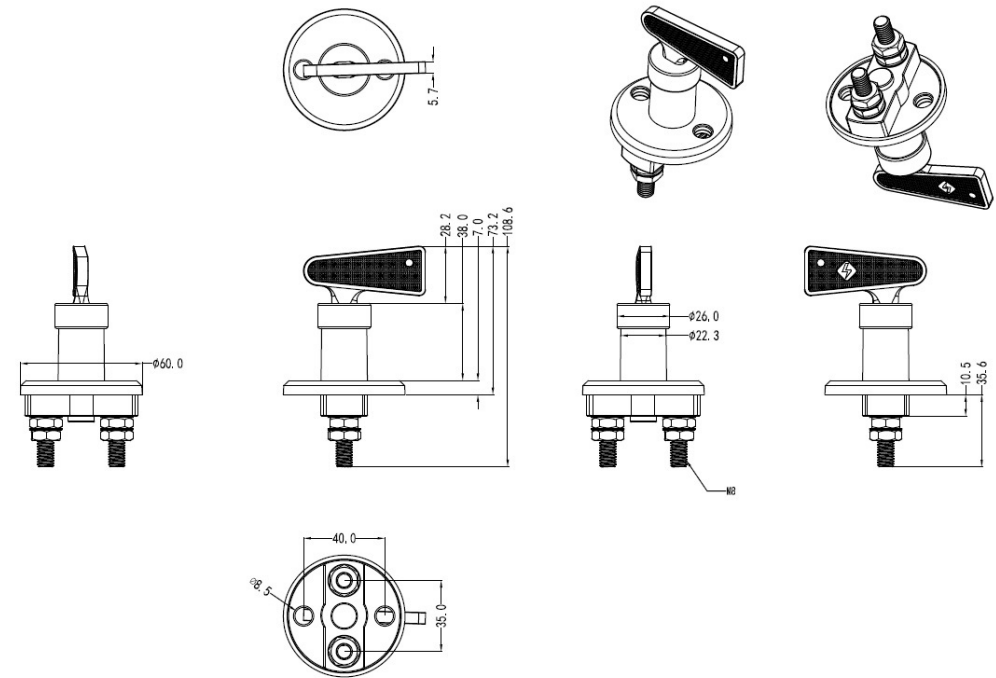
COUNTRY OF ORIGIN:
Taiwan

STANDARDS:
REACH and RoHS compliant

CHARACTERISTICS:

- Single pole single throw switch
- With waterproof rubber cover
- The key is only removable in the Off-position
- Spare key KEY001 available

PHOTO / TECHNICAL DRAWING



DIMENSIONS

Ø x H: 60,0 x 108,6 mm

TECHNICAL SPECIFICATIONS

Contact termination: M8xP1,5xL25,1 stud terminals, copper
 Positions: Off-On
 Panel aperture: Ø 23 mm, screw holes 40 mm apart
 Rating: 12V, 100A continuous, 500A intermittent
 Operating temperature: -40 ~ 80 °C